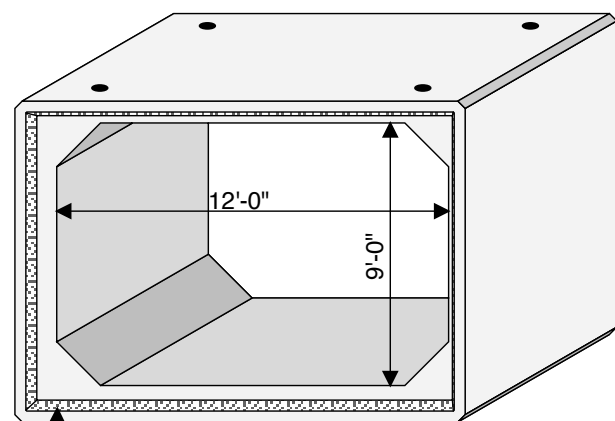
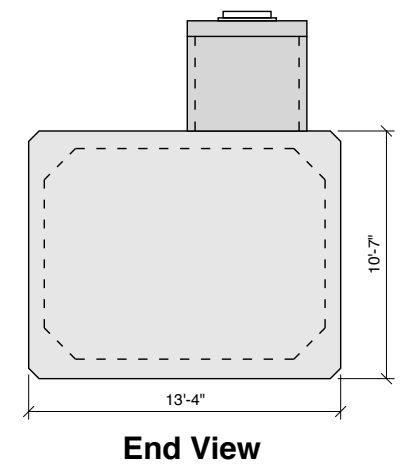
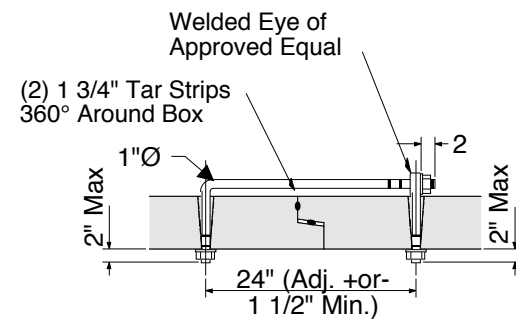


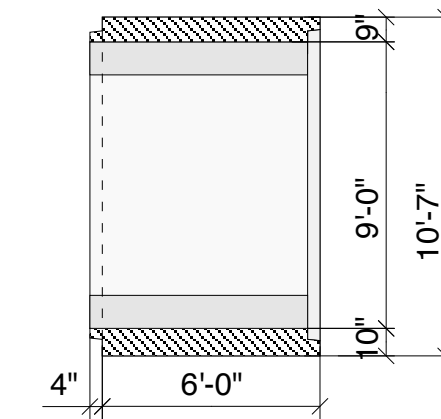
Section A-A



Install Mastic Seal 360° @ 2 Locations



"Tie Bolt" Detail



Longitudinal Barrel Section

Underground Stormwater Storage Tank

*Crest Precast, Inc.
La Crescent, MN & Barneveld, WI*