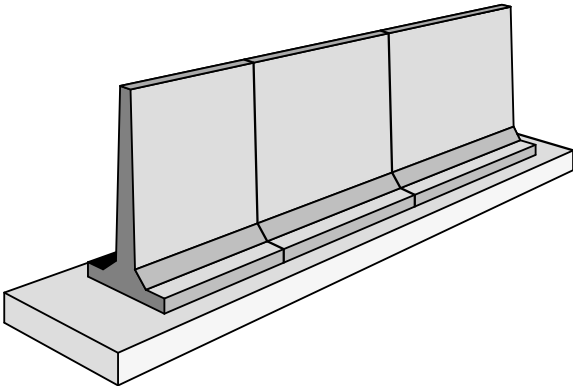


# 6'-0" BUNKER SILO TEE

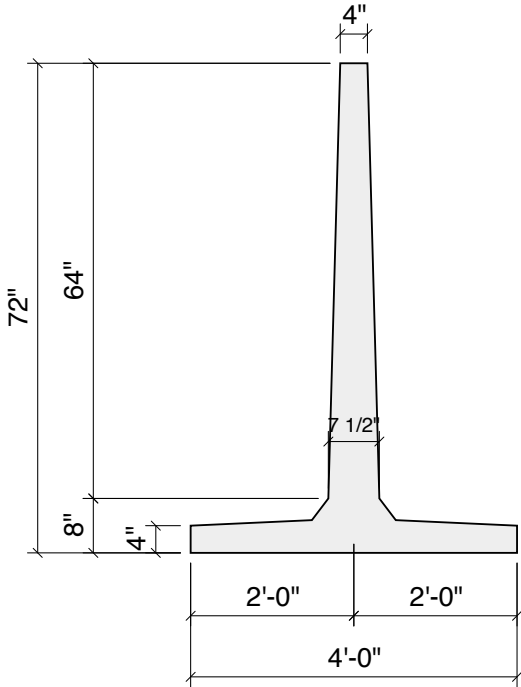
SOLID CONSTRUCTION FOR USE IN  
GRAIN STORAGE, SILAGE BUNKERS,  
LANDSCAPE & RECYCLE BINS



16'-0"



Front View



End View

# 6'-0" "T" Wall Section

SMOOTH FINISH ON BOTH SIDES

Weight - 10,300 Lbs  
5,000 PSI Concrete

*Crest Precast, Inc.  
La Crescent, MN & Barneveld, WI*