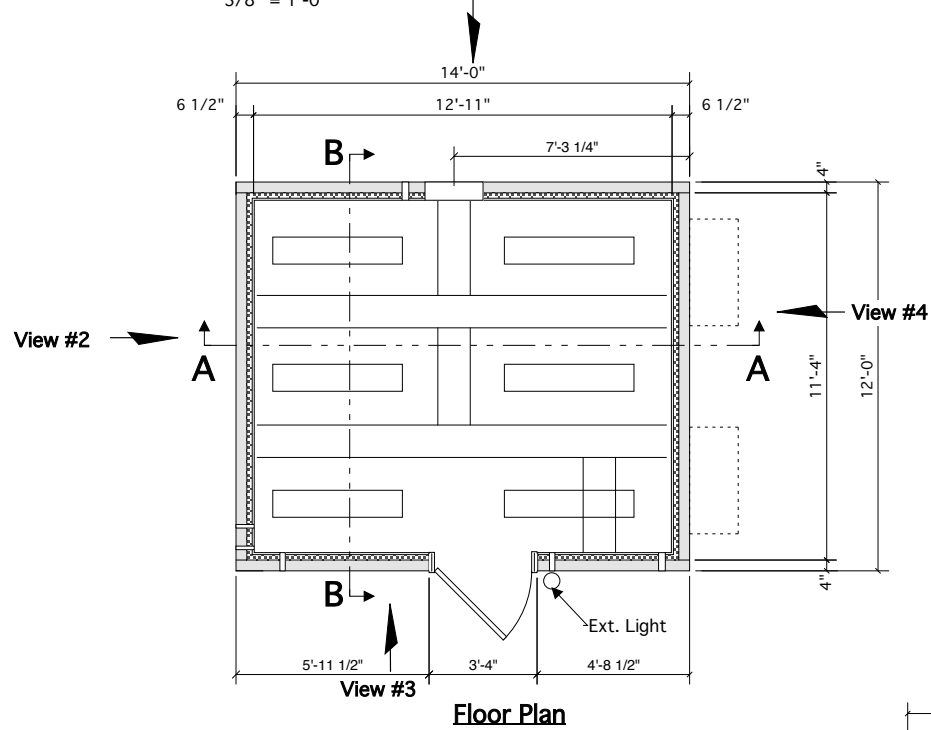
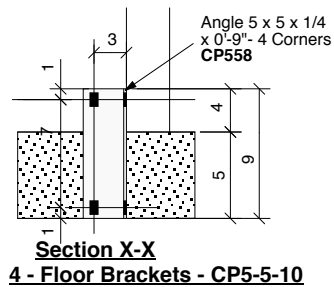


Roof Plan
3/8" = 1'-0"

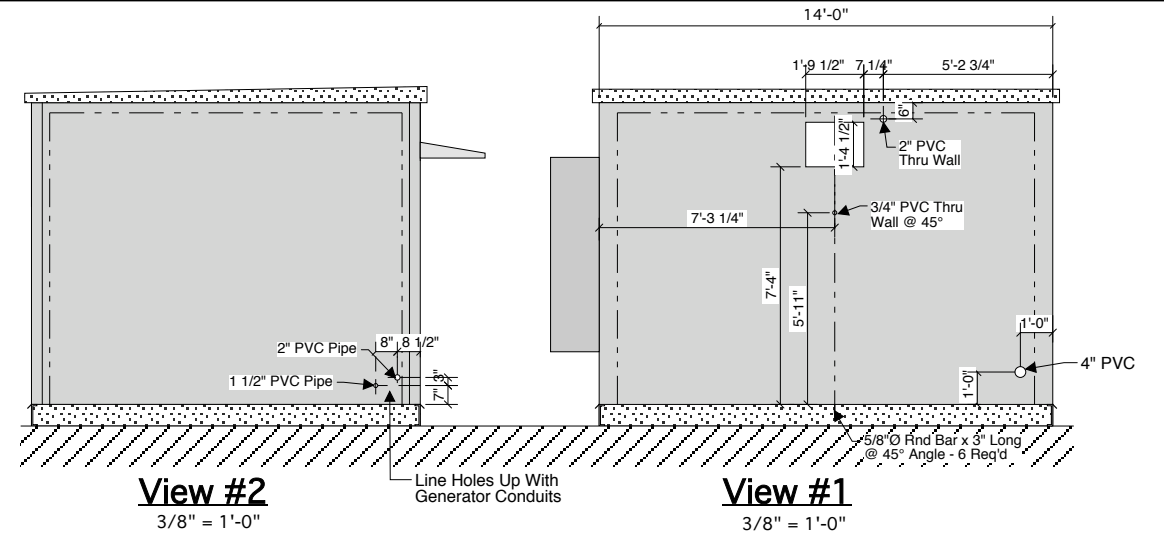
View #1



Floor Plan

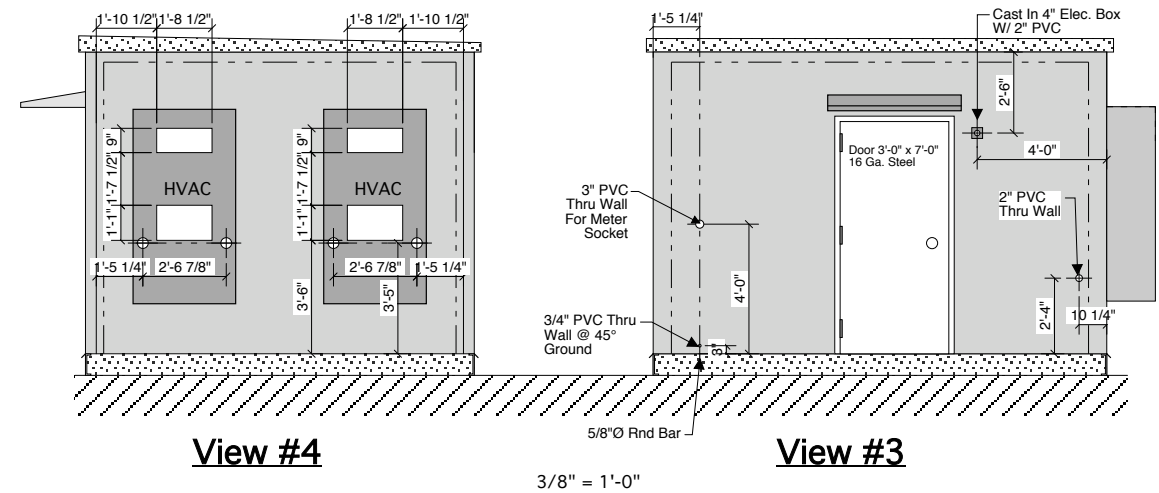


Section X-X
4 - Floor Brackets - CP55-10



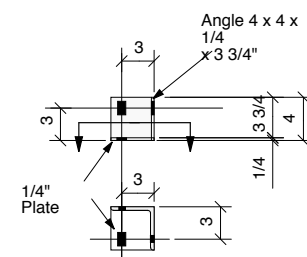
View #2
3/8" = 1'-0"

View #1
3/8" = 1'-0"

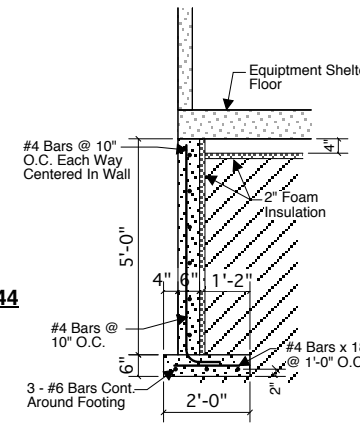


View #4

View #3



4 - Ceiling Brackets - CP444



Precast Foundation
Section X-X

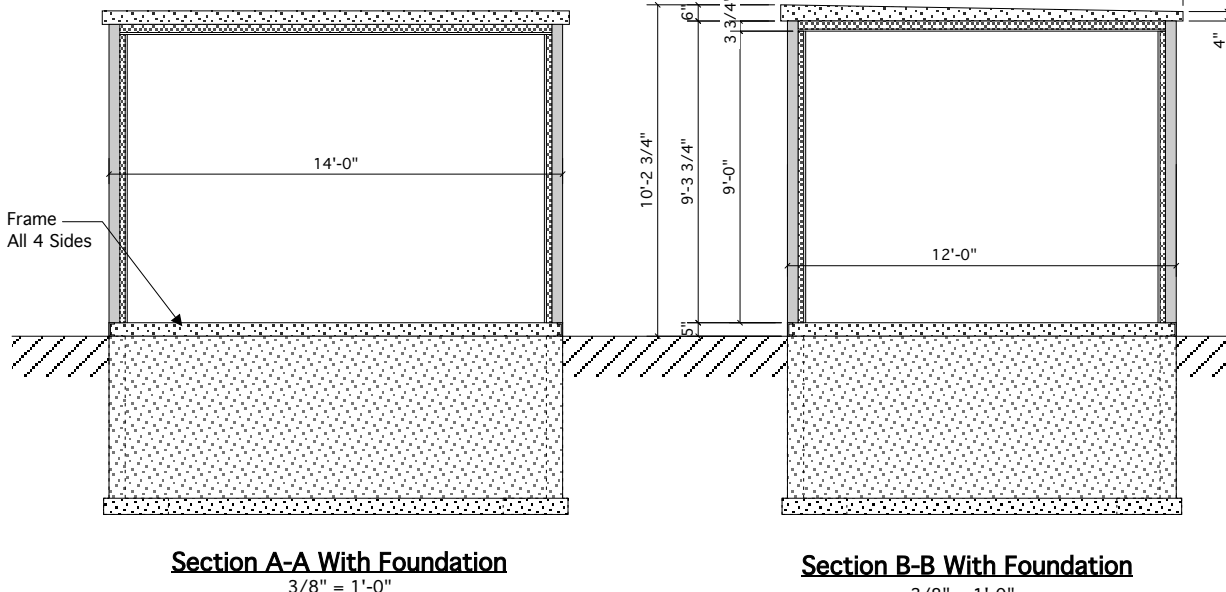
Precast Exterior Finishes
Floor - Smooth Plain
Walls - Exposed Aggregate
Roof - Smooth - Colored 370 Brown

Interior Finishes
Walls & Ceiling
3/4" Vinyl-Kote MP by Newcourt, Inc.
White Matt Finish

Floor
1/8" Vinyl Tiles - Marbelized Tan with
4" Vinyl Baseboard

Exterior Joints
Dymonic Caulk By Tremco

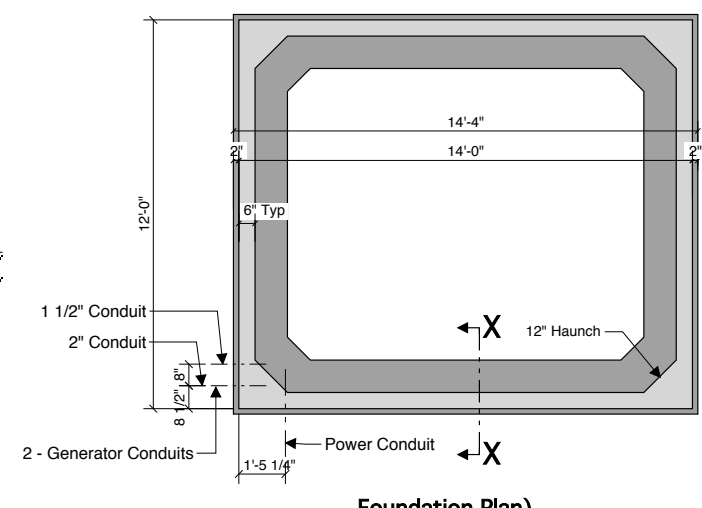
Exterior Door & Frame
16 Ga. Steel, Completely weatherstripped
Fastened with anchors (Not cast-in)
Color 370 Brown



Section A-A With Foundation
3/8" = 1'-0"

Section B-B With Foundation
3/8" = 1'-0"

Precast Foundation Detail



Foundation Plan
3/8" = 1'-0"

12'-0" x 14'-0" Precast Building

Crest Precast, Inc.
La Crescent, MN & Barneveld, WI
800-658-9045

Scale		Drawn By:	KGT
Date		Revision	
Project:		12 x 14 Precast Building	
Contractor:		Drawing Number	MFG1