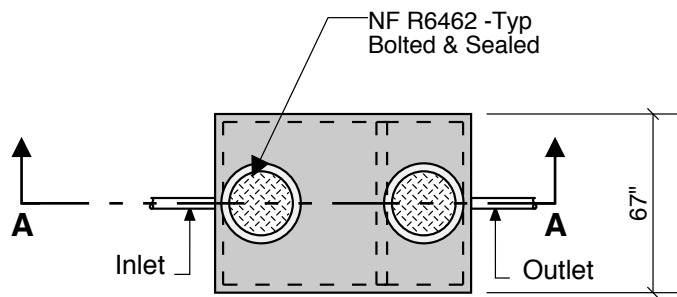
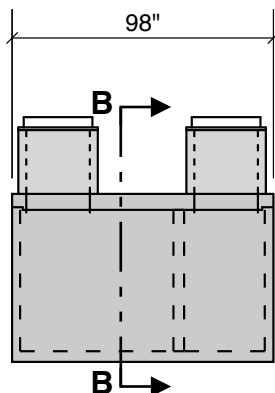


**1000 GALLON
GREASE
43" LL
49" INLET**

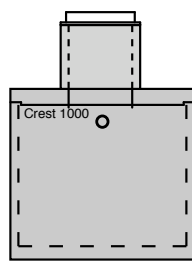
2 Compartment



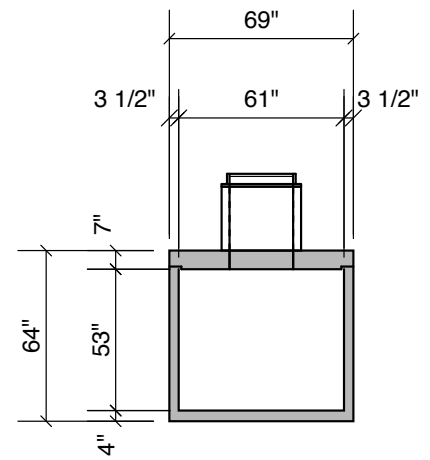
Top View



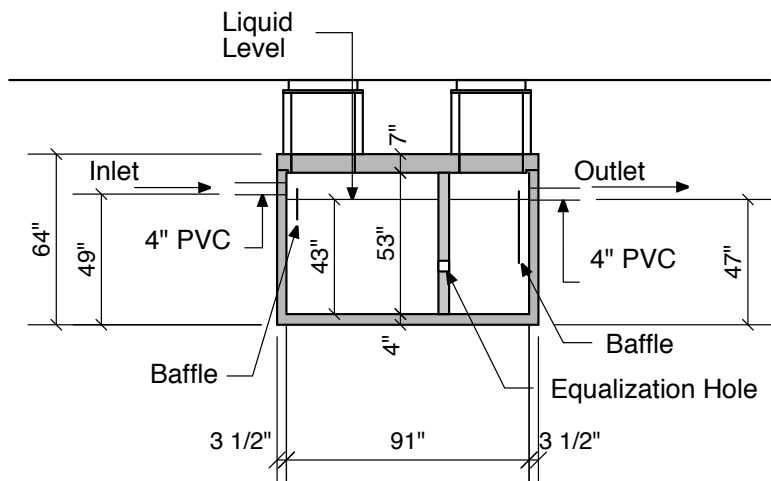
Side View



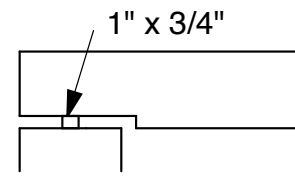
End View



Section B-B



Section A-A



Typical Cover Detail

Notes:
 Concrete - 5000 PSI
 Joint Sealant - High Grade EZ-Stick
 Labels - Warning signs located on all manholes
 Installation - See separate installation guide
 Baffles Installed
 Rubber Gaskets - Press Seal
 Tank Designed To ASTM C-1227-90 and ASTM 1613-06

Crest Precast, Inc.		Drawn By: KGT
La Crescent, MN & Barneveld, WI		Revision:
800-658-9045		
Scale:	Date: 5-1-08	
Project: 1000 Gal. Grease Interceptor		
Contractor:	Drawing Number:	MODEL 1000-GM-2