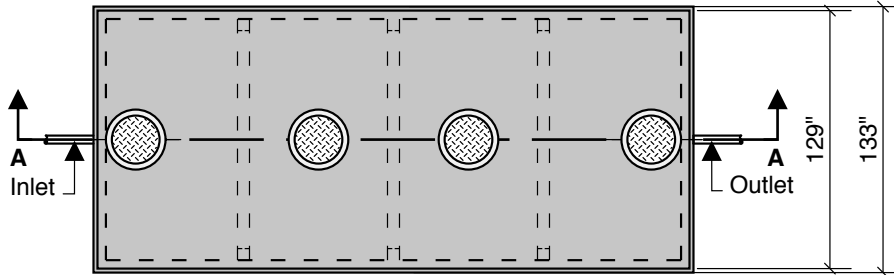
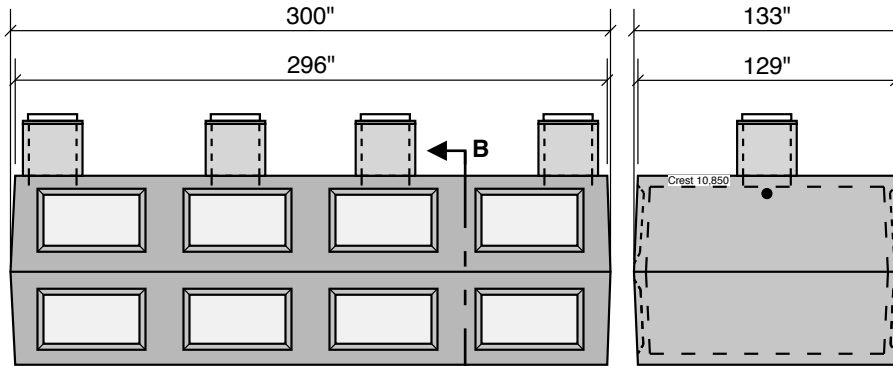


**10000 GALLON  
GREASE  
74" LL  
81" INLET**

Single Compartment

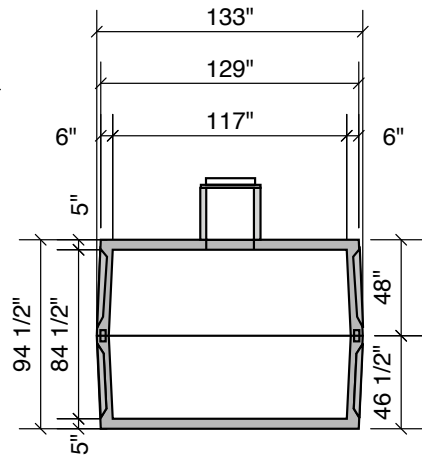


**Top View**

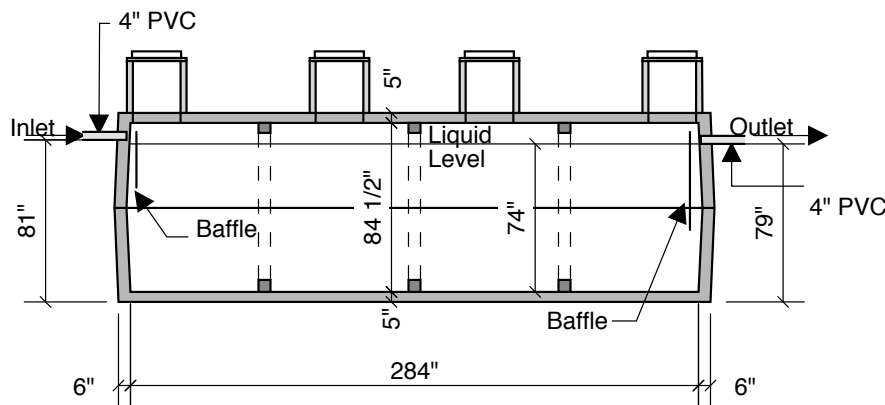


**Side View**

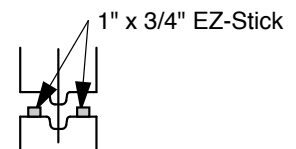
**End View**



**SECTION B-B**



**Section A-A**



**Typical Tongue  
& Groove Joint**

Notes:  
 Concrete - 5000 PSI  
 Joint Sealant - High Grade EZ-Stick  
 Labels - Warning signs located on all manholes  
 Installation - See separate installation guide  
 Baffles Installed  
 Rubber Gaskets - Press Seal  
 Tank Designed To ASTM C-1227-90 and ASTM 1613-06

**Crest Precast, Inc.**  
**La Crescent, MN & Barneveld, WI**  
 800-658-9045

Scale		Drawn By:	KGT
Date	5-1-08	Revision	
Project:	<b>10,850 Gal. Grease Interceptor</b>		
Contractor:	Drawing Number: <b>MODEL 10850-G</b>		