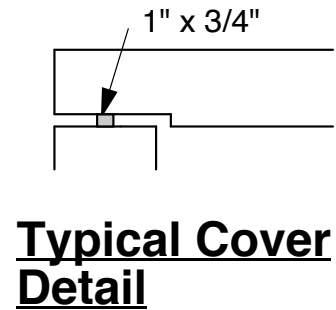
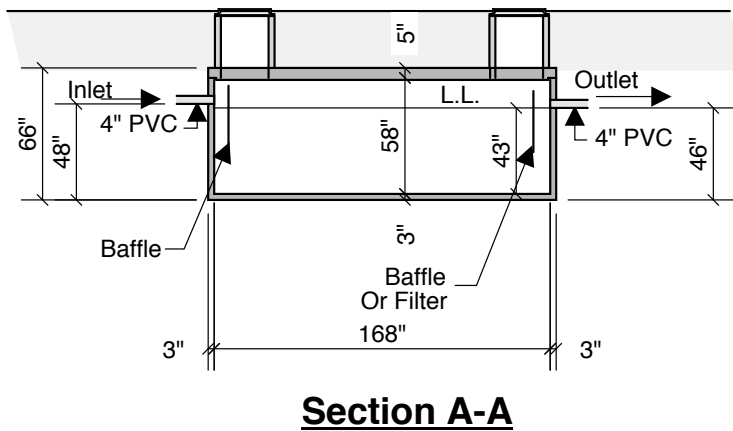
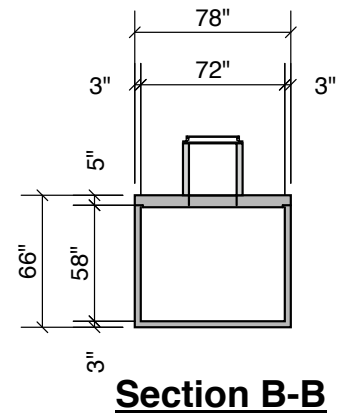
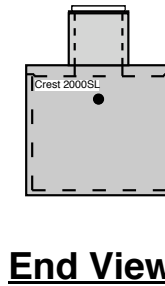
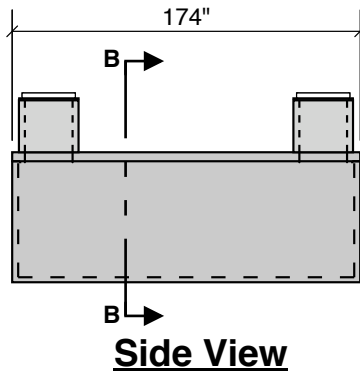
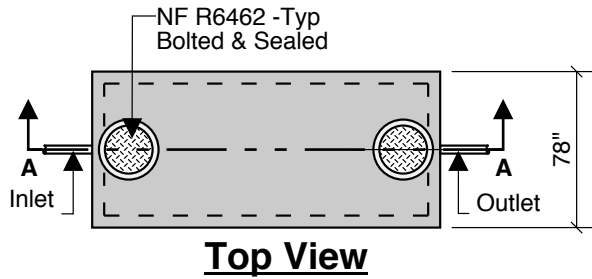


**2000 SL GALLON
GREASE
43" LL
48" INLET**

Single Compartment



Notes:
 Concrete - 5000 PSI
 Joint Sealant - High Grade EZ-Stick
 Labels - Warning signs located on all manholes
 Installation - See separate installation guide
 Baffles Installed
 Rubber Gaskets - Press Seal
 Tank Designed To ASTM C-1227-90 and ASTM 1613-06

| | | | |
|----------------------------|--------|--|-----------------------|
| Crest Precast, Inc. | | La Crescent, MN & Barneveld, WI | |
| 800-658-9045 | | 800-658-9045 | |
| Scale | | Drawn By: | KGT |
| Date | 5-1-08 | Revision | |
| Project: | | 2000 Gal. Grease Interceptor | |
| Contractor: | | Drawing Number | MODEL 2000-GSL |