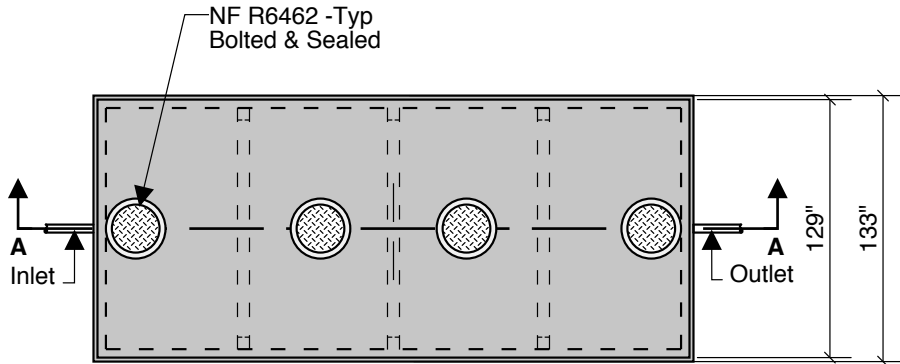
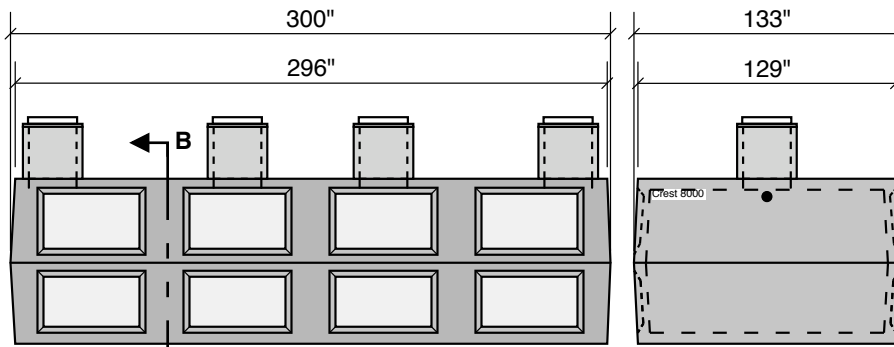


**8000 GALLON
GREASE
55" LL
62" INLET**

Single Compartment

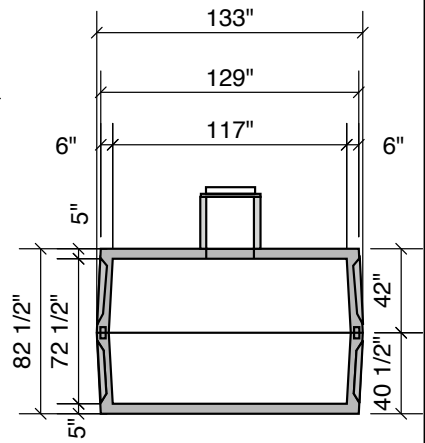


Top View

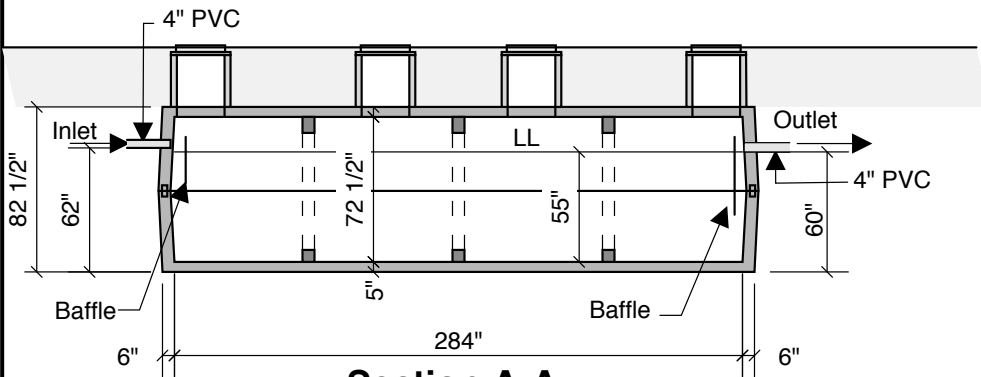


Side View

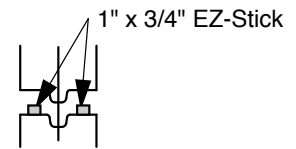
End View



SECTION B-B



Section A-A



**Typical Tongue
& Groove Joint**

- Notes:
- Concrete - 5000 PSI
 - Joint Sealant - High Grade EZ-Stick
 - Labels - Warning signs located on all manholes
 - Installation - See separate installation guide
 - Baffles Installed
 - Rubber Gaskets - Press Seal
 - Tank Designed To ASTM C-1227-90 and ASTM 1613-06

Crest Precast, Inc.
La Crescent, MN & Barneveld, WI
 800-658-9045

Scale		Drawn By:	KGT
Date	5-1-08	Revision	
Project:	8000 Gal. Grease Interceptor		
Contractor:	MODEL 8000-G		