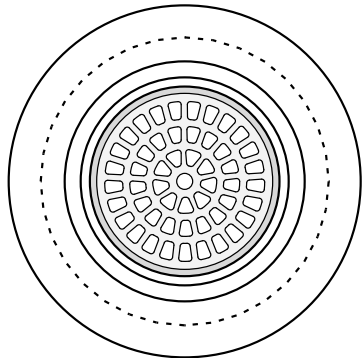
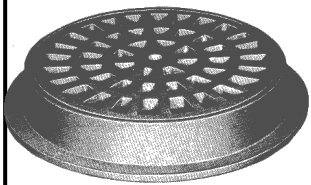


48" Catch Basin

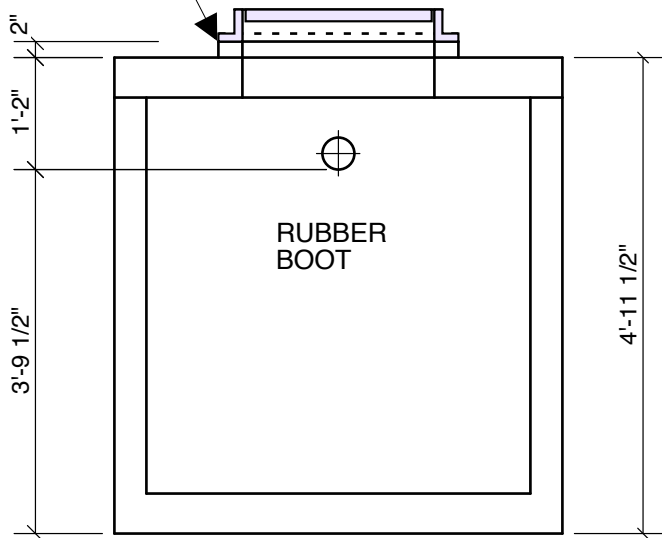
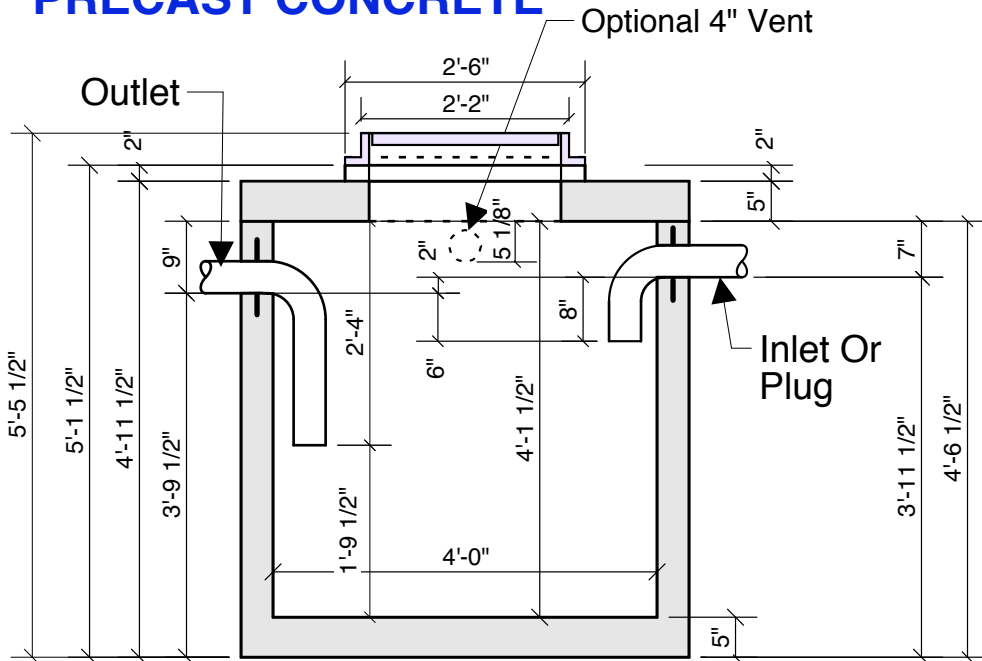
PRECAST CONCRETE



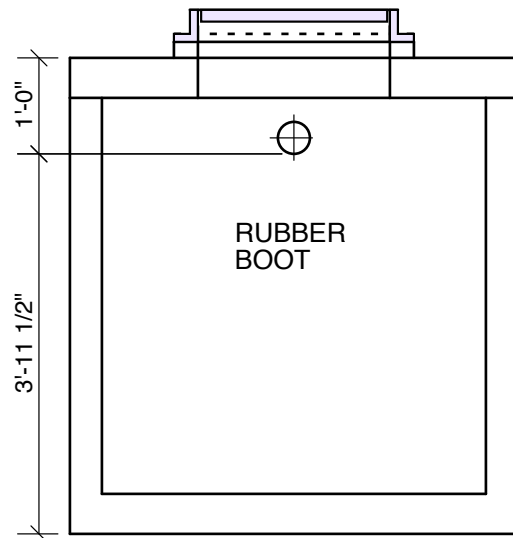
TOP VIEW

Standard Frame & Grate Is R2510

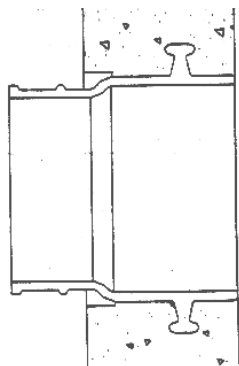
Optional Grade Ring (2", 4", 6")



Outlet View



Inlet View



GASKET READY FOR PIPE INSTALLATION

- Concrete: 4500 psi
- Gasket: Rubber Boot Outlet
- Casting: NF R-2510 Ring With Open Grate
- Joint Sealant: Ez Stick Mastic
- Weight:

Crest Precast, Inc.
La Crescent, MN & Barneveld, WI
 800-658-9045

Scale		Drawn By:	KGT
Date		Revision	
Project:		48" Catch Basin	
Contractor:		Drawing Number	MODEL 48 CB