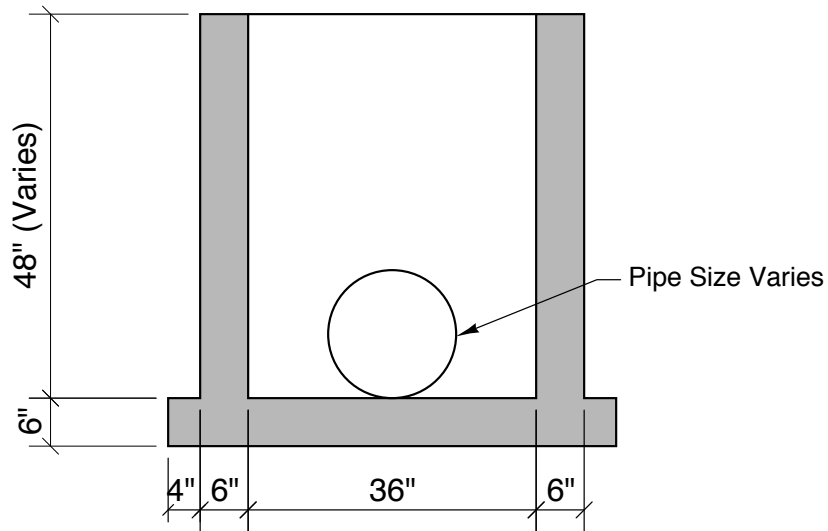


Top View



Section View

24" x 36" x 48" Deep Curb Inlet

Concrete - 5000 PSI
 Reinforcement - Per ASTM C478
 Boots - Press Seal Brand with Stn. Stl. Clamps
 Mastic - EZ Stick by Press Seal
 Contractor to provide roadway for truck and crane

Crest Precast, Inc.
La Crescent, MN & Barneveld, WI
 800-658-9045

Date	Drawn By: KGT
Revision	
Project:	
Contractor:	Drawing Number 24 x 36 x 48 Curb Inlet