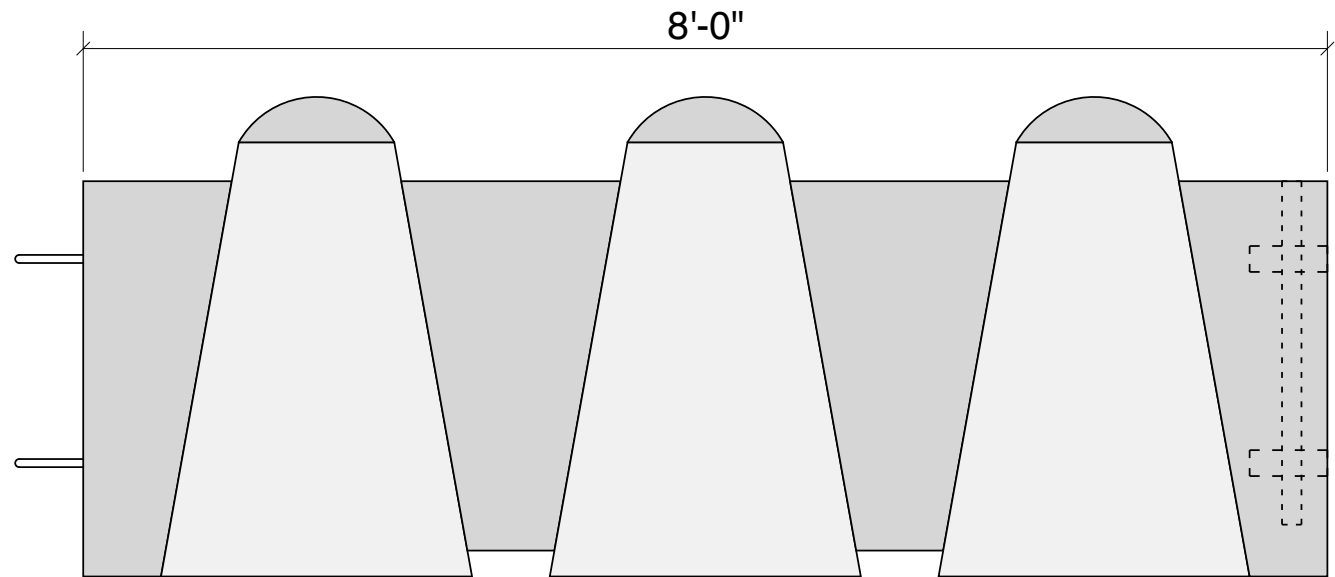
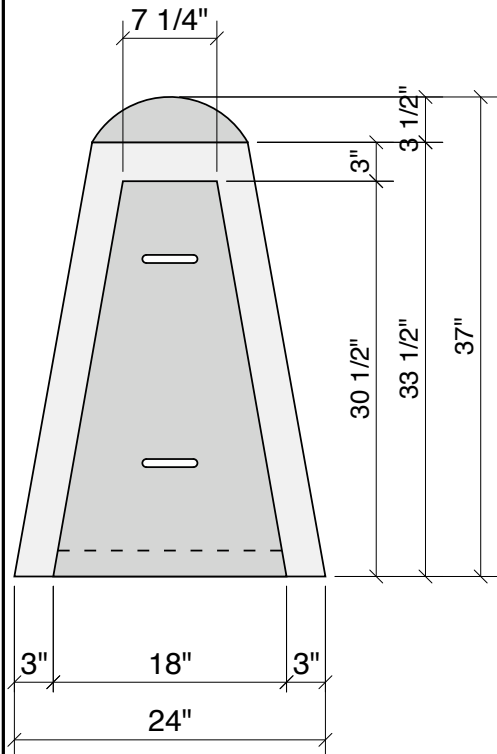
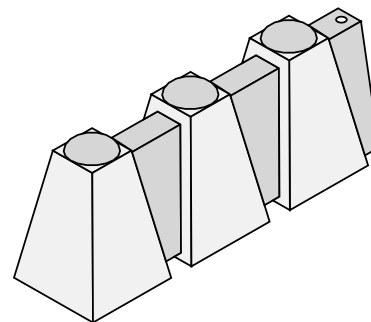


# AB

Architectural Barrier



**Architectural Barrier**  
**24" x 37" x 96"**



Notes:

- Concrete - 4500 PSI W/ Air
- Approx. Weight - 4,400 Lbs
- 11 Units - 88 Lin. Feet Per Load
- Reinforcement - Grade 60 Steel
- Steel Form Finish
- Optional Fence Post Sleeves On Top
- Optional Color & or Stone Finish