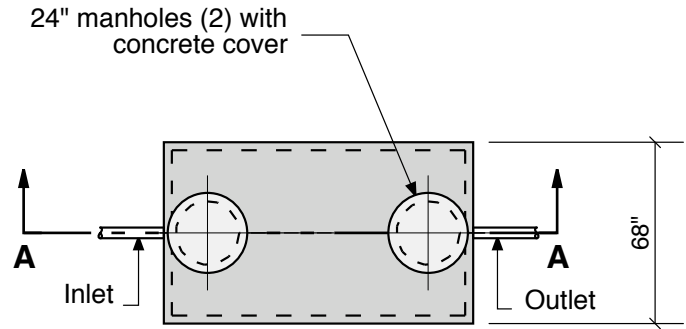
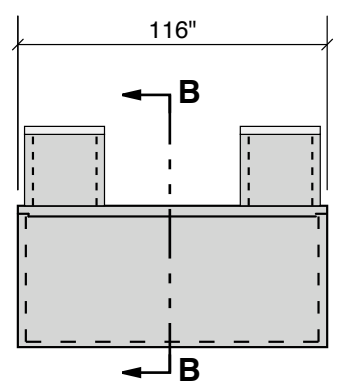


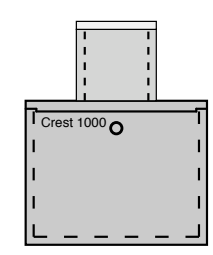
**1000 GALLON  
36" LL  
41" INLET**



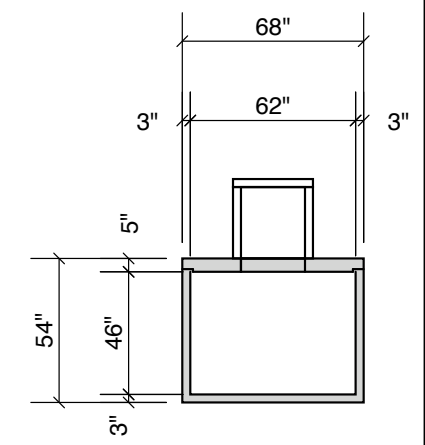
**Top View**



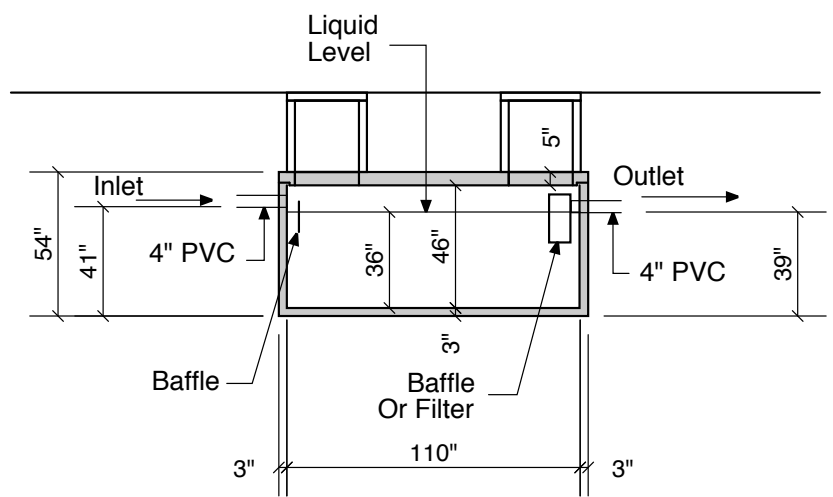
**Side View**



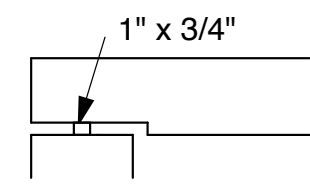
**End View**



**Section B-B**



**Section A-A**



**Typical Cover Detail**

**Notes:**  
 Concrete - 5000 PSI  
 Joint Sealant - High Grade EZ Stick  
 Labels - Warning signs located on all manholes  
 Installation - See separate installation guide  
 Baffles Installed  
 Rubber Gaskets - Press Seal

<b>Crest Precast, Inc.</b>		Drawn By: <b>KGT</b>
<b>La Crescent, MN &amp; Barneveld, WI</b>		Revision:
800-658-9045		
Scale:		
Date:		
<b>Project:</b>	<b>SEPTIC TANK 1000 GALLON LOW</b>	
<b>Contractor:</b>	Drawing Number	<b>MODEL 1000-L</b>