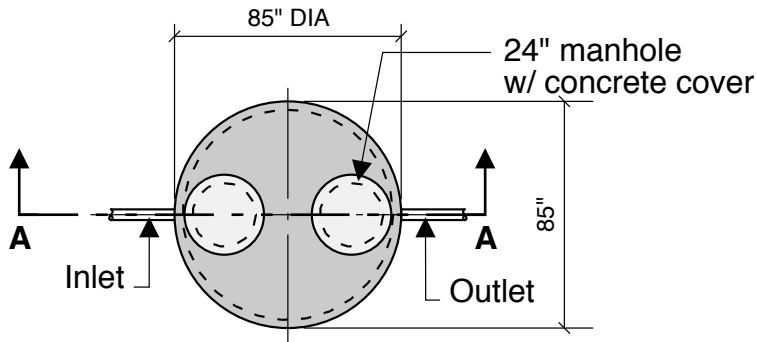
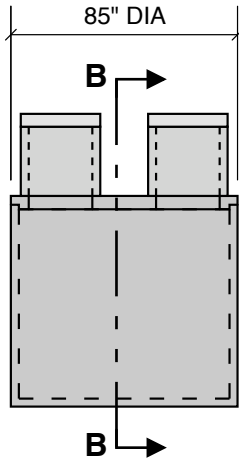


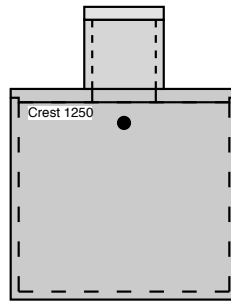
**1250 GALLON  
59" LL  
64" INLET**



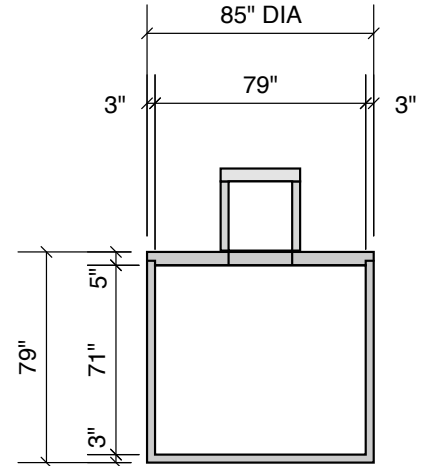
**Top View**



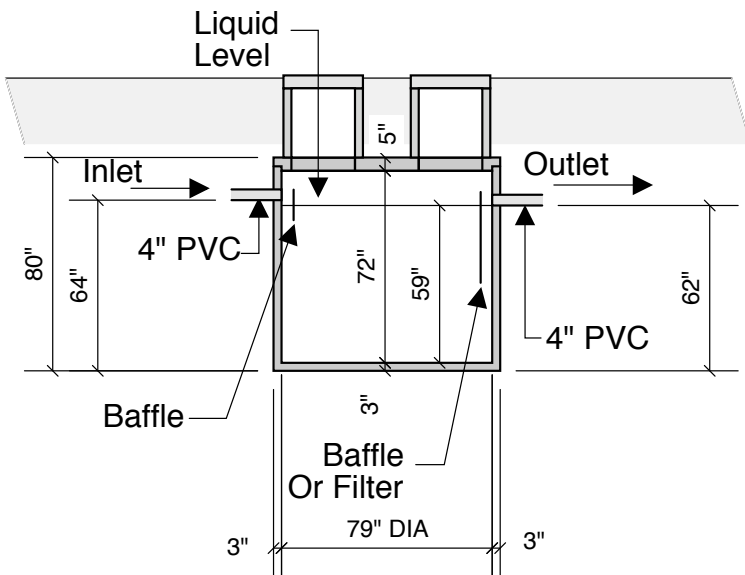
**Side View**



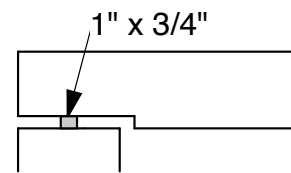
**End View**



**Section B-B**



**Section A-A**



**Typical Cover Detail**

Notes:  
 Concrete - 5000 PSI  
 Joint Sealant - High Grade EZ-Stick  
 Labels - Warning signs located on all manholes  
 Installation - See separate installation guide  
 Baffles Installed  
 Rubber Gaskets - Press Seal

**Crest Precast, Inc.**  
**La Crescent, MN & Barneveld, WI**  
 800-658-9045

Scale		Drawn By:	KGT
Date		Revision	

**Project: SEPTIC TANK  
1250 GALLON ROUND**

**Contractor:**

Drawing Number  
**MODEL 1250-R**