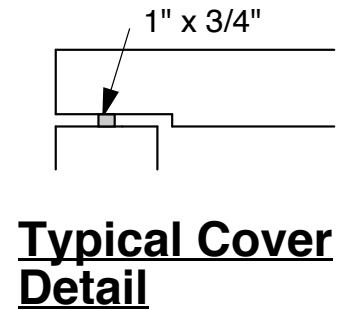
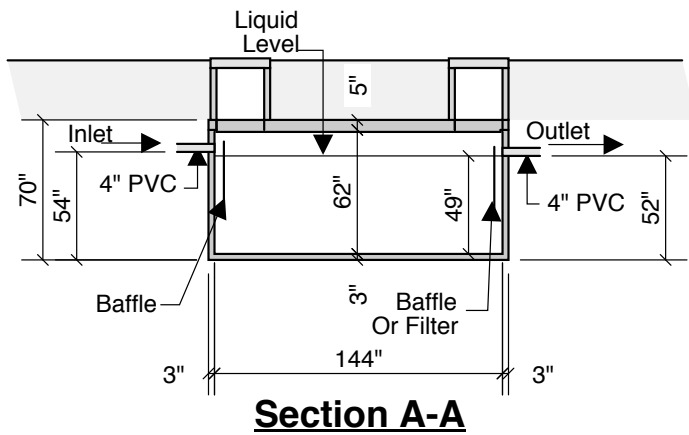
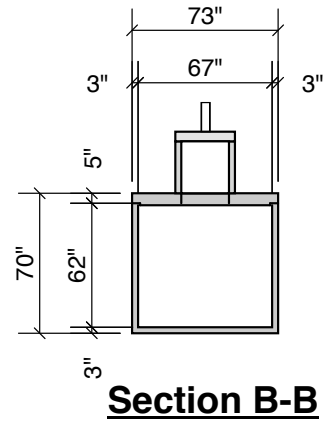
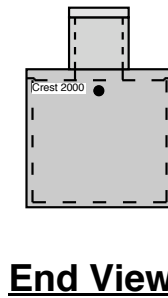
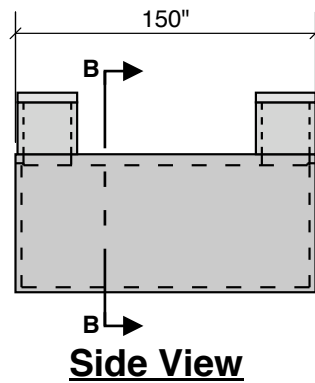
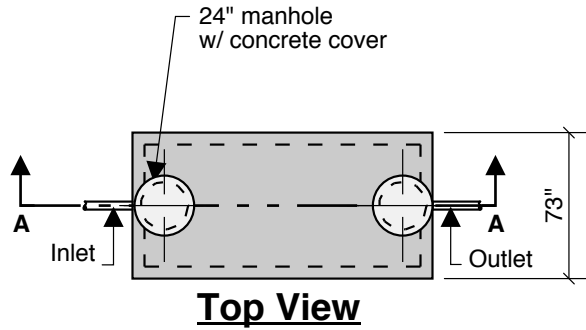


**2000 M GALLON
49" LL
54" INLET**



Notes:
Concrete - 5000 PSI
Joint Sealant - High Grade EZ-Stick
Labels - Warning signs located on all manholes
Installation - See separate installation guide
Baffles Installed
Rubber Gaskets - Press Seal

Crest Precast, Inc.
La Crescent, MN & Barneveld, WI
800-658-9045

Scale		Drawn By:	KGT
Date		Revision	
Project:	SEPTIC TANK 2000 GALLON LOW		
Contractor:		Drawing Number	MODEL 2000-M