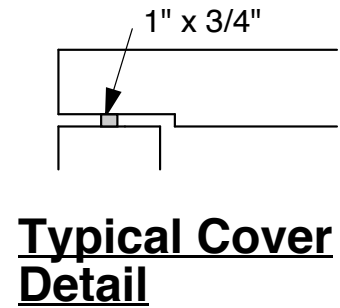
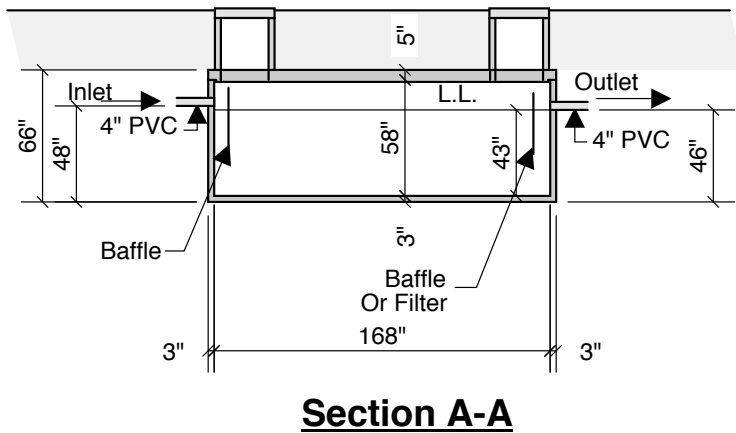
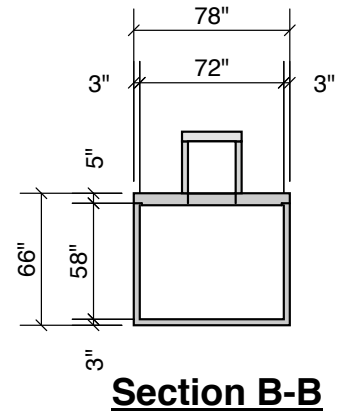
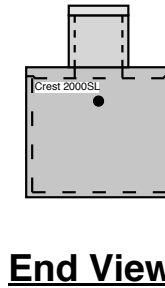
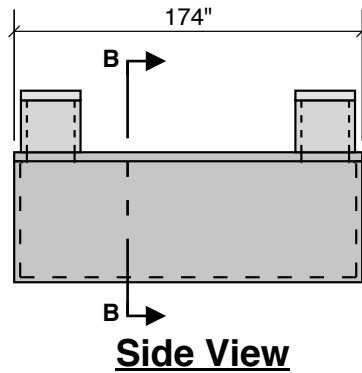
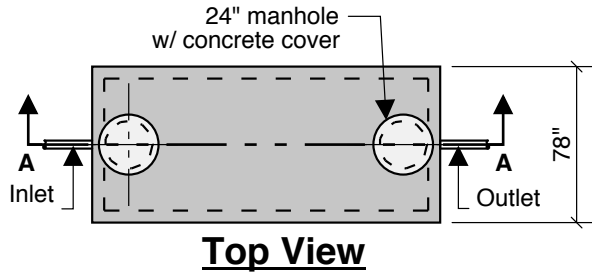


**2000 SL GALLON
43" LL
48" INLET**



Notes:
Concrete - 5000 PSI
Joint Sealant - High Grade EZ-Stick
Labels - Warning signs located on all manholes
Installation - See separate installation guide
Baffles Installed
Rubber Gaskets - Press Seal

Crest Precast, Inc.		Drawn By: KGT
La Crescent, MN & Barneveld, WI		Revision:
800-658-9045		
Scale:		
Date:		
Project:	SEPTIC TANK 2000 GALLON SUPER LOW	
Contractor:	Drawing Number	MODEL 2000-SL