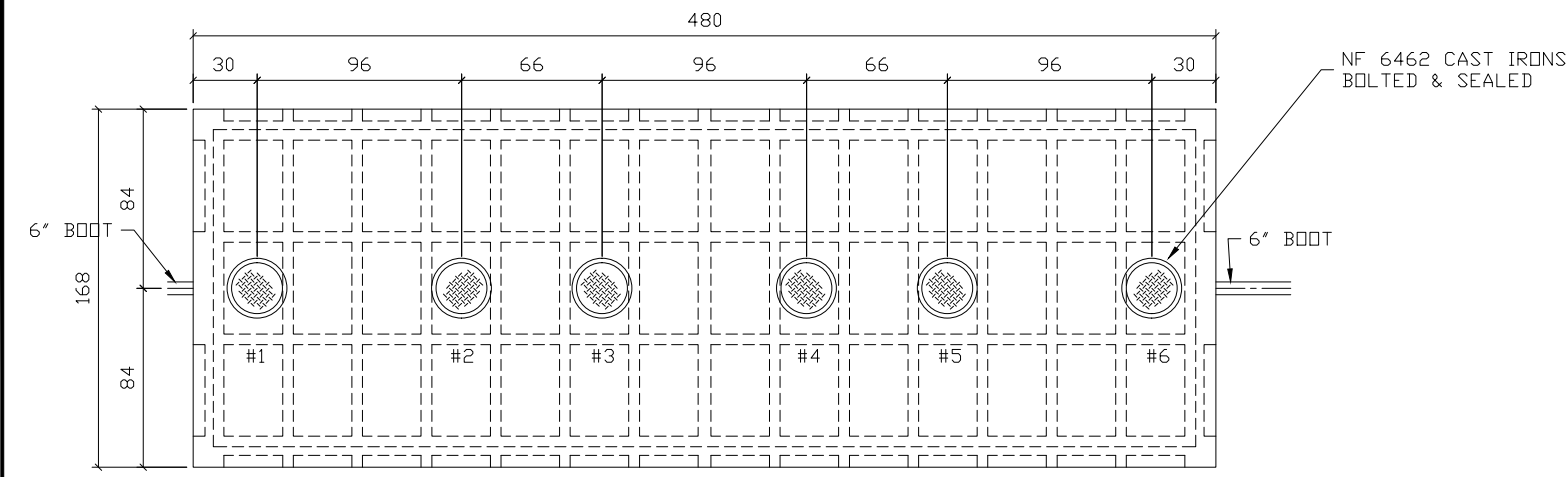
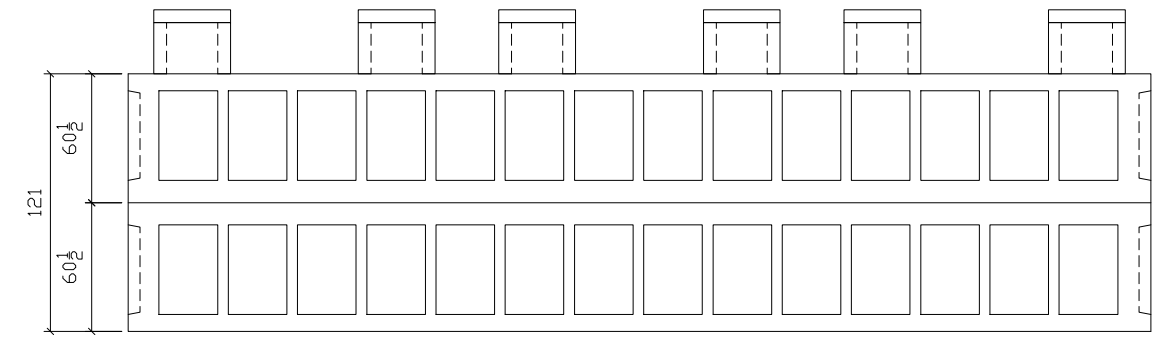


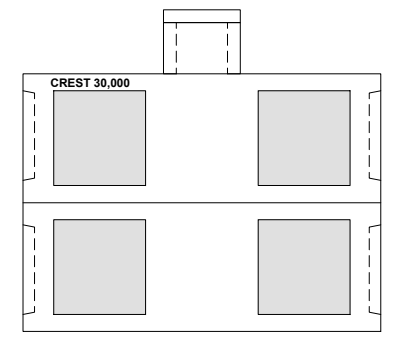
30000 GALLON GREASE 101" LL 108" INLET



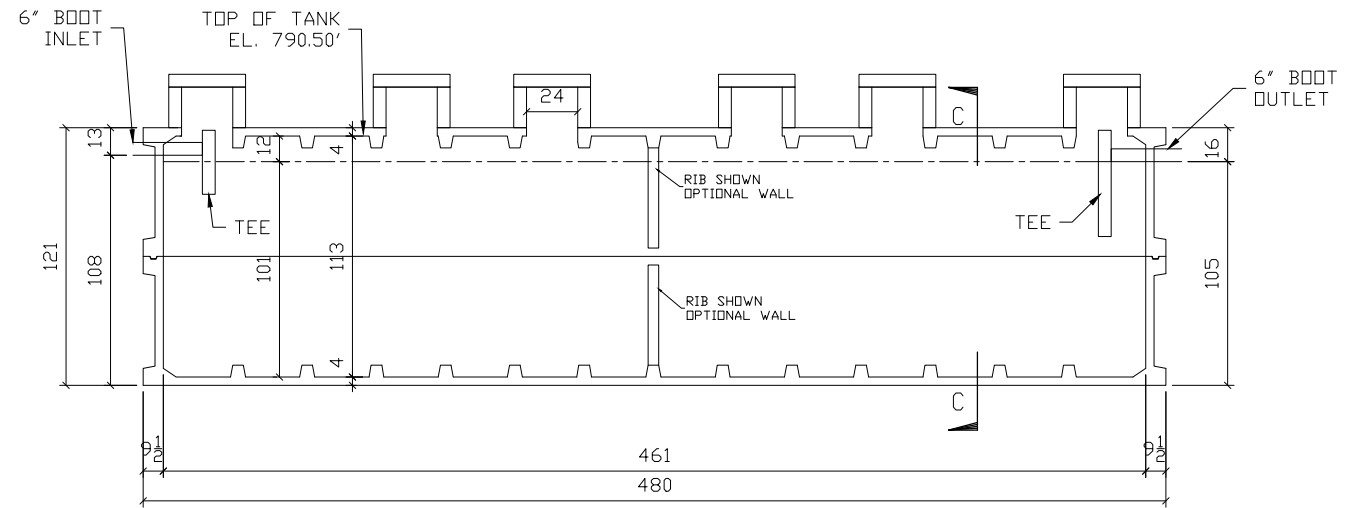
TOP VIEW



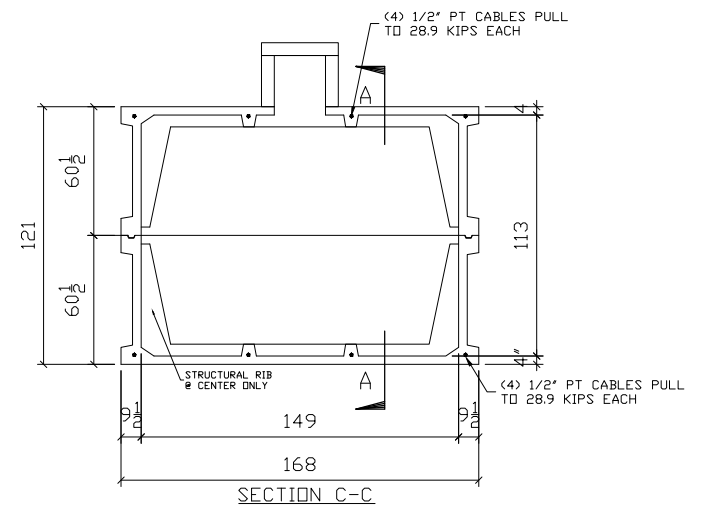
SIDE VIEW



END VIEW



SECTION A-A



SECTION C-C

30,000 GREASE TANK (Septic, Holding Or Pump)
 101" LIQUID LEVEL
 108" INLET
 105" OUTLET
 30,098 GALLONS ACTUAL
 298 GPI TOTAL
 96" MAXIMUM BURY
 140,000# EMPTY WEIGHT
 GREASE INTERCEPTOR REQUIRES 6 MANHOLES
 W/ BOLTED AND SEALED CAST IRON COVERS.
 SEPTIC TANK ONLY REQUIRES 3 CLEANOUT
 MANHOLES W/ LOCKING COVERS LOCATIONS 1,4 & 6
 HOLDING TANK REQUIRES ONLY 2 RISERS - LOCATION 1 & 6

DESIGN NOTES:
 QUALITY CONTROL PROGRAM IN PLACE
 W/C RATIO OF .040 OR LESS
 6,500 PSI MINIMUM CONCRETE @ 28 DAYS
 VACUUM TESTING IS RANDOM BY CREST
 TANKS DESIGNED TO WITHSTAND THE PRESSURES TO WHICH
 IT WILL BE SUBJECTED PROVIDED INSTALLER TO FOLLOW
 CREST BACK FILL AND BEDDING GUIDE #1-17
 TANK SIZE MARKED ON OUTLET END

APPLIED REFERENCE NO.
 001, 002, 003, 004, 005, 07B, 008, 012
 014, 017, 018, 019, 021, 022, 022A, 022B, 023
 024 AND MOST RECENT APPROVALS THAT INCLUDE
 THE FOLLOWING OPTIONS: FILTERS: DOC APPROVED ZABEL
 OR ORENCO MODELS LOCATED AT OUTLET WITH ACCESS OVER FILTERS
 PIPE PORTS; 4", 6", OR 8"
 RISER OPENINGS: MINIMUM 24" DIAMETER OPTION 35", 48",
 OR RECTANGLE / SQUARE WITH MINIMUM 24" CLEAR OPENING

BAFFLE SIZE
 BAFFLE SIZE WHERE FILTER IS NOT REQUIRED
 FORMED PVC TYPE 6" MINIMUM WALL TO BAFFLE CLEARANCE
 INLET 9" ABOVE L.L. AND 20" BELOW
 GREASE OUTLET 9" ABOVE L.L. AND 65" BELOW
 SEPTIC OUTLET 9" ABOVE L.L. AND 33" BELOW

REINFORCEMENT
 BOTTOM, TOP & SIDES: 4 x 4 x 4 MESH LOCATED 1 1/4" FROM INSIDE FACE
 POST TENSION CABLES ARE CAST INTO BOTTOM TOP & SIDES
 FOR ADDITIONAL DESIGN REQUIREMENTS

30,000 GALLON GREASE INTERCEPTOR

NOTES:
 6,500 PSI CONCRETE W/ 5% TO 7% AIR & XYPES
 ADDITIVE
 REINFORCING - GRADE 60
 JOINT SEALANT - HIGH GRADE EZ-STICK
 EXTERIOR COATING - CS55 MASTIC COATING
 INSTALLATION - SEE SEPARATE INSTALLATION GUIDE
 BAFFLES INSTALLED AS REQ'D
 RUBBER GASKETS - PRESS SEAL

Crest Precast, Inc.	
La Crescent, MN & Barneveld, WI	
800-658-9045	
Date: 8-1-11	Drawn By: KGT
Project: 30,000 GALLON GREASE INTERCEPTOR	
Contractor:	Drawing Number: 30,000