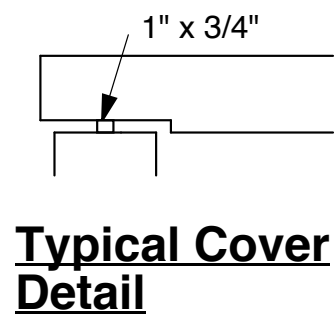
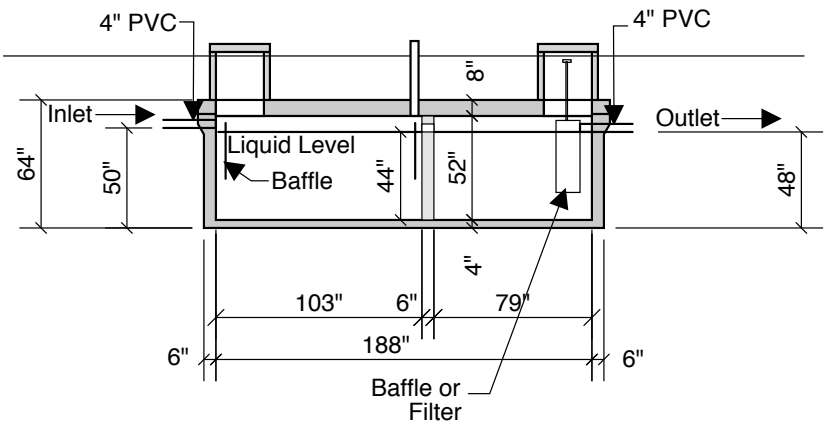
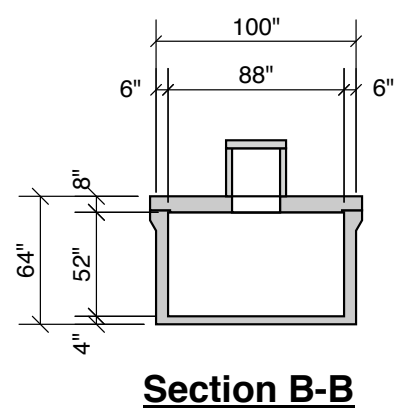
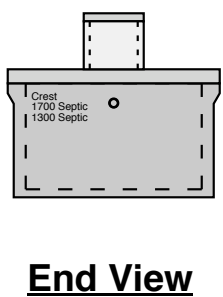
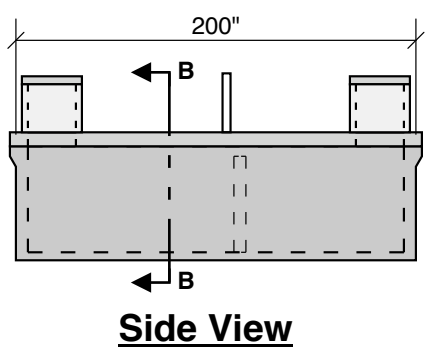
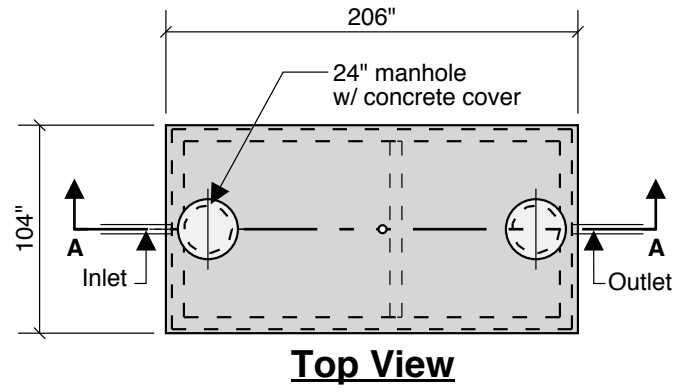


**3000 DS GALLON
44" LL
50" INLET**

Double Septic
Septic Pump
Holding



2 Compartment 3000 Gallon Septic Tank

**1700 Gallons - Compartment #1
1300 Gallons - Compartment #2**

- Notes:
 Concrete - 5000 PSI
 Joint Sealant - High Grade EZ-Stick
 Labels - Warning signs located on all manholes
 Installation - See separate installation guide
 Baffles Installed
 Rubber Gaskets - Press Seal

Crest Precast, Inc.		La Crescent, MN & Barneveld, WI	
800-658-9045		800-658-9045	
Scale		Drawn By:	KGT
Date		Revision	
Project:	SEPTIC SEPTIC 3000 GALLON DOUBLE SEPTIC		
Contractor:	Drawing Number		MODEL 3000-DS