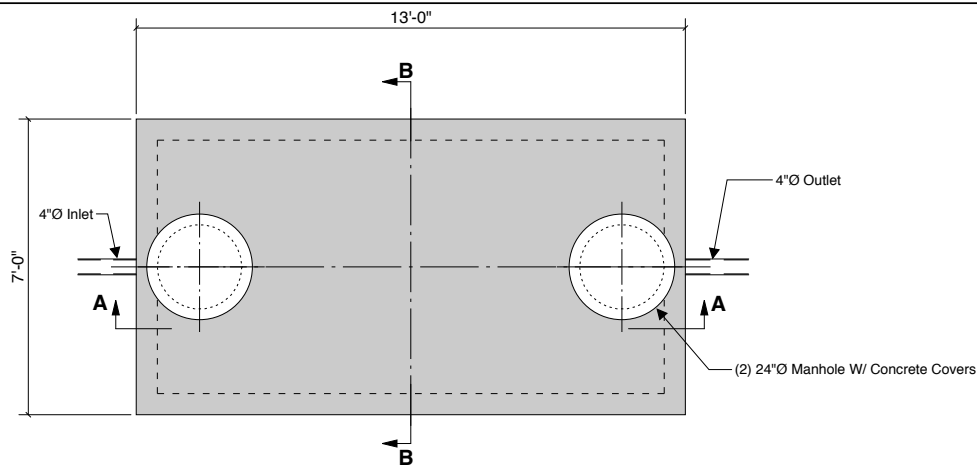
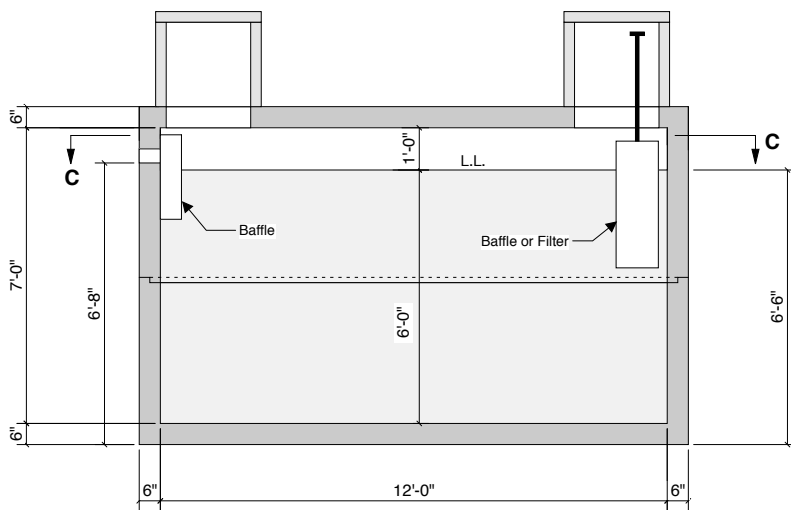


**3200 GALLON
72" LL
80" INLET**

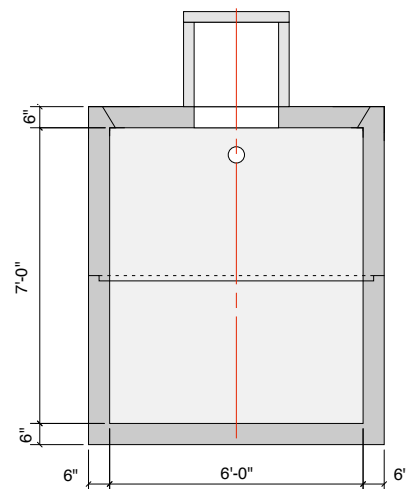
GPI - 44.83 Gal/In.



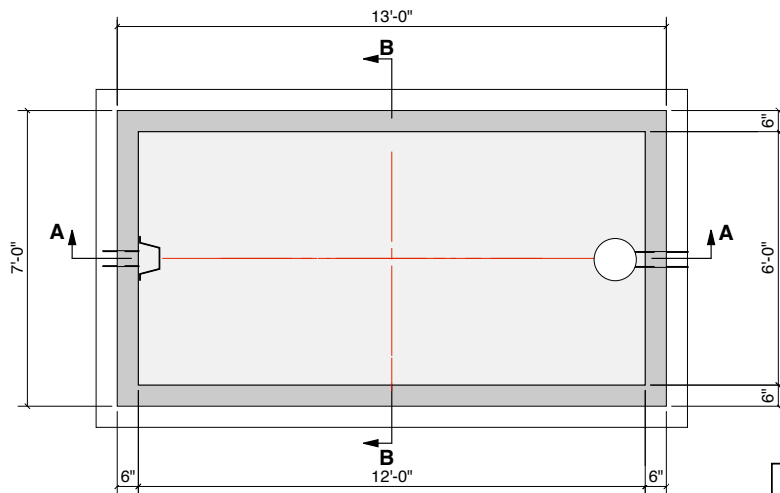
Plan View - Top Panel



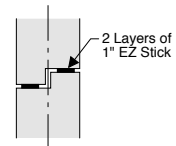
Section A-A



Section B-B



**Section C-C
Sectional Plan**



Typical Joint

Crest Precast, Inc.
La Crescent, MN & Barneveld, WI
 800-658-9045

Scale		Drawn By:	KGT
Date		Revision	
Project: SEPTIC TANK 3200 GALLON DEEP		Drawing Number	
Contractor:		MODEL 3200-D	