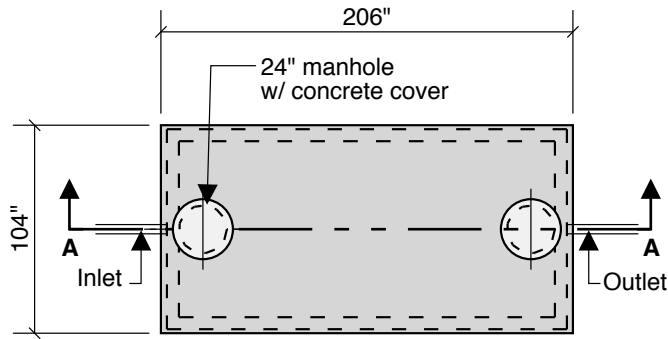
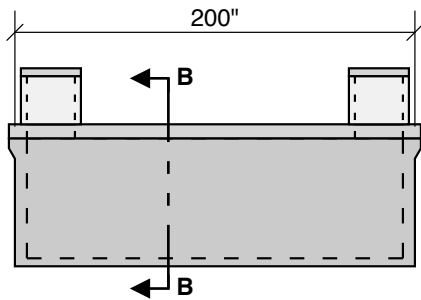


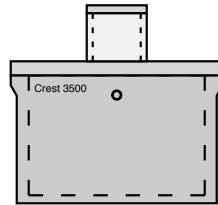
**3500 GALLON  
50" LL  
INLET - 56"**



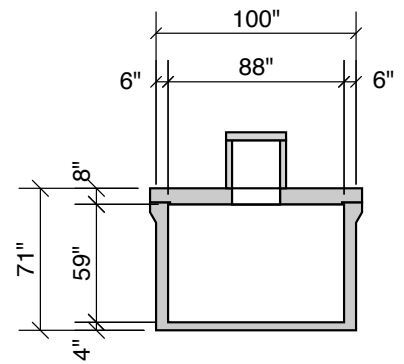
**Top View**



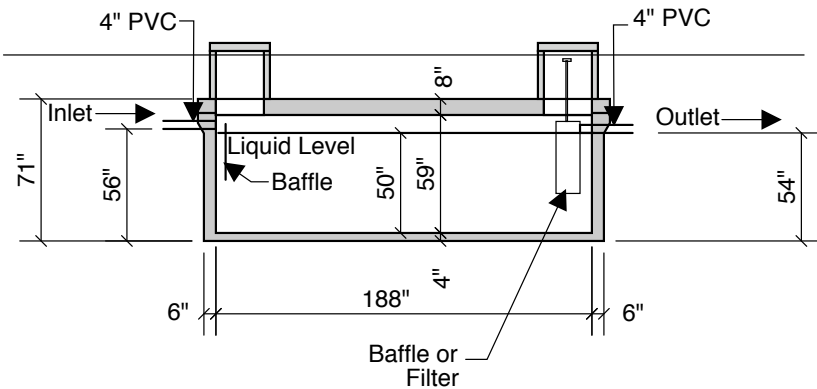
**Side View**



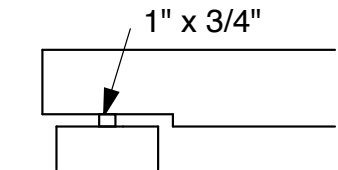
**End View**



**Section B-B**



**Section A-A**



**Typical Cover Detail**

Notes:  
Concrete - 5000 PSI  
Joint Sealant - High Grade EZ-Stick  
Labels - Warning signs located on all manholes  
Installation - See separate installation guide  
Baffles Installed  
Rubber Gaskets - Press Seal

**Crest Precast, Inc.**  
**La Crescent, MN & Barneveld, WI**  
800-658-9045

Scale		Drawn By:	KGT
Date		Revision	
<b>Project:</b>	<b>SEPTIC TANK 3500 GALLON</b>		
<b>Contractor:</b>	Drawing Number	<b>MODEL 3500</b>	