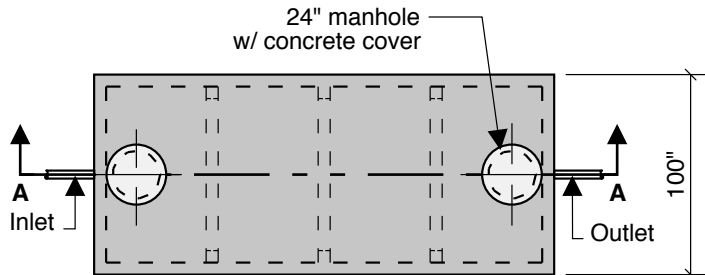
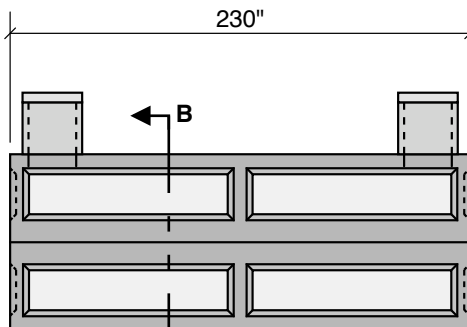


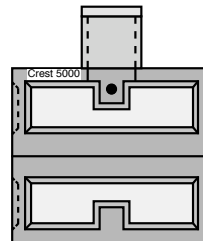
**5000 R GALLON  
63" LL  
70" INLET**



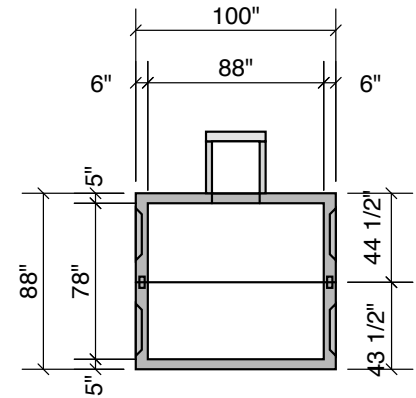
**Top View**



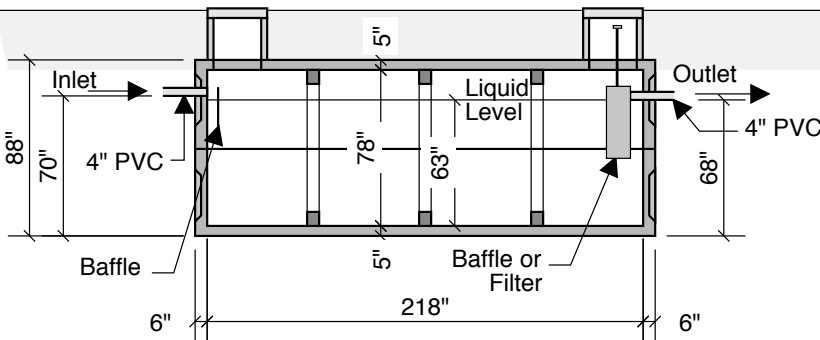
**Side View**



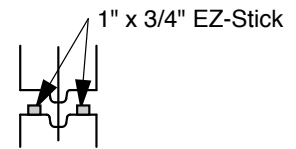
**End View**



**Section B-B**



**Section A-A**



**Typical Tongue & Groove Joint**

Septic - Pump - Holding - Recirculation Or Grease Tank

Notes:  
Concrete - 5000 PSI  
Joint Sealant - High Grade EZ-Stick  
Labels - Warning signs located on all manholes  
Installation - See separate installation guide  
Baffles Installed  
Rubber Gaskets - Press Seal

**Crest Precast, Inc.**  
**La Crescent, MN & Barneveld, WI**  
800-658-9045

Scale		Drawn By:	KGT
Date		Revision	
<b>Project:</b>	<b>SEPTIC TANK 5000 GALLON</b>		
<b>Contractor:</b>		Drawing Number:	<b>MODEL 5000R</b>