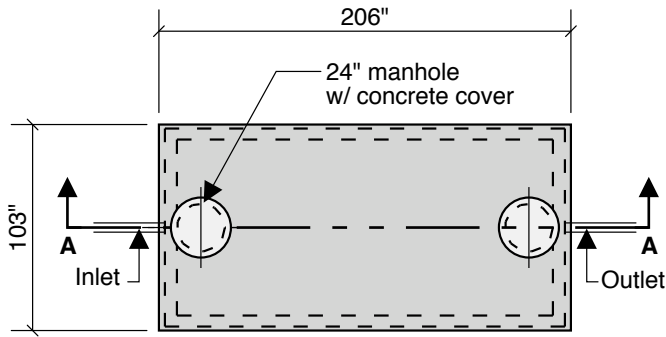
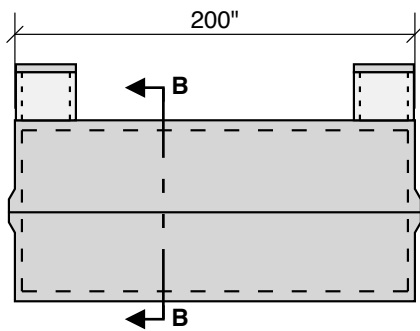


**5000 M GALLON
68" LL
75" INLET**

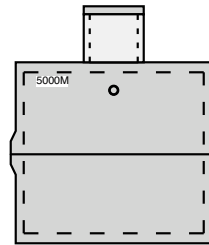
68" * 90" * 190" / 231 = 5033 GALLONS



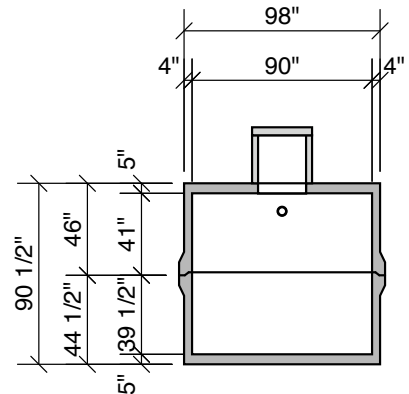
Top View



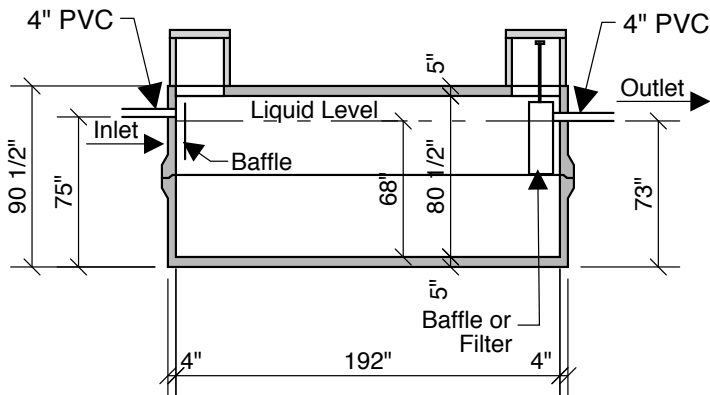
Side View



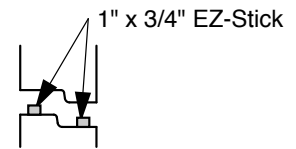
End View



Section B-B



Section A-A



Typical Joint

Septic - Pump - Holding - Recirculation Or Grease Tank

Notes:
Concrete - 5000 PSI
Joint Sealant - High Grade EZ-Stick
Labels - Warning signs located on all manholes
Installation - See separate installation guide
Baffles Installed
Rubber Gaskets - Press Seal

Crest Precast, Inc.
La Crescent, MN & Barneveld, WI
800-658-9045

Scale		Drawn By:	KGT
Date		Revision	
Project:	SEPTIC TANK 5000 GALLON MEDIUM		
Contractor:	Drawing Number MODEL 5000-M		