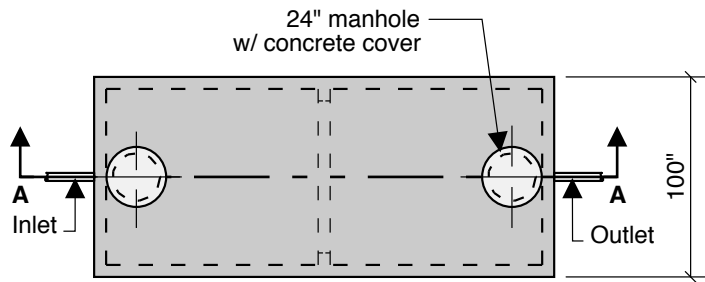
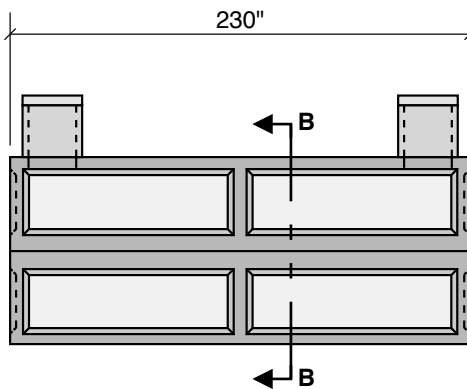


**6000 RDS GALLON
73" LL
80" INLET**

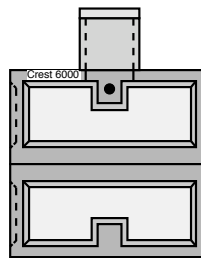
Double Septic



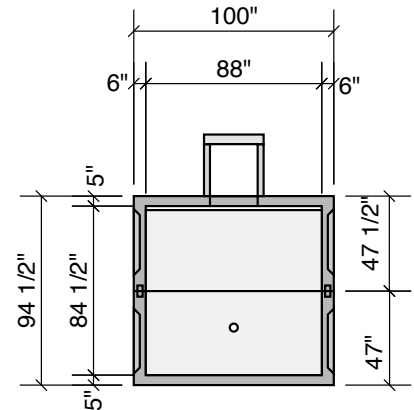
Top View



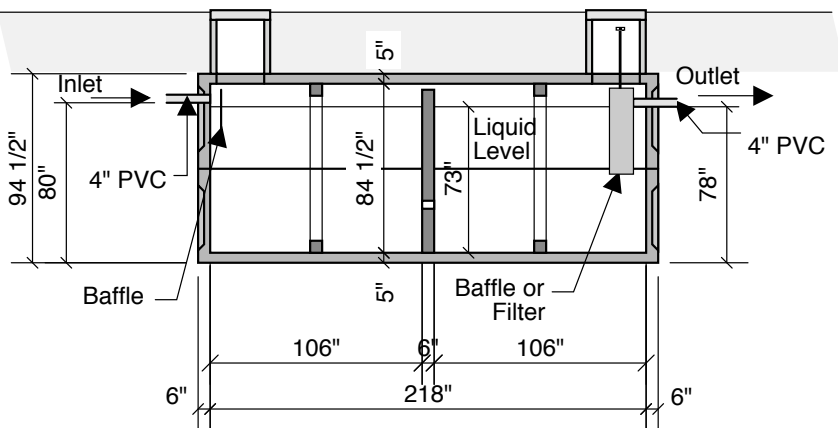
Side View



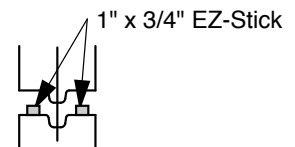
End View



Section B-B



Section A-A



Typical Tongue & Groove Joint

2 Compartment 6000 Gallon Septic Tank

**2,907 Gallons - Compartment #1
2,907 Gallons - Compartment #2**

Notes:
Concrete - 5000 PSI
Joint Sealant - High Grade EZ-Stick
Labels - Warning signs located on all manholes
Installation - See separate installation guide
Baffles Installed
Rubber Gaskets - Press Seal

Crest Precast, Inc.
La Crescent, MN & Barneveld, WI
800-658-9045

Scale		Drawn By:	KGT
Date		Revision	
Project:	SEPTIC TANK 6000 GALLON		
Contractor:		Drawing Number	MODEL 6000-RDS