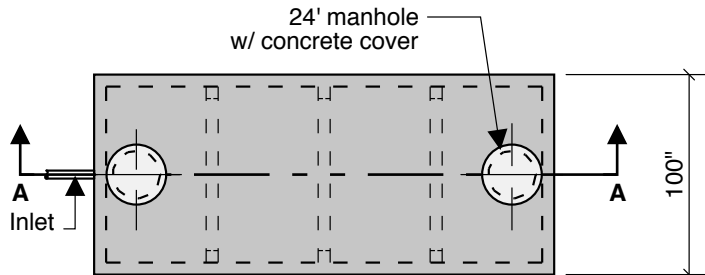


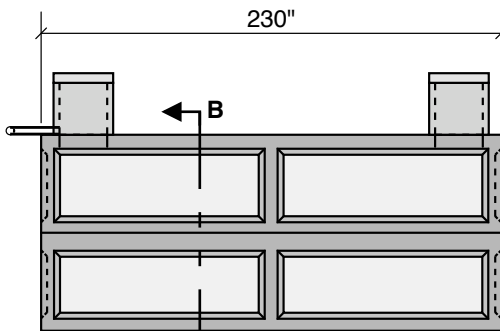
**7500 GALLON  
86" LL  
98" INLET**

**Holding  
Or Pump**

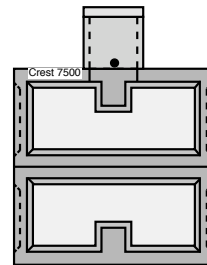
**Not For Use  
As Septic Or  
Grease Tank**



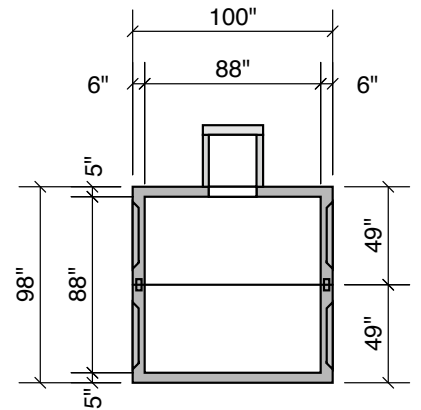
**Top View**



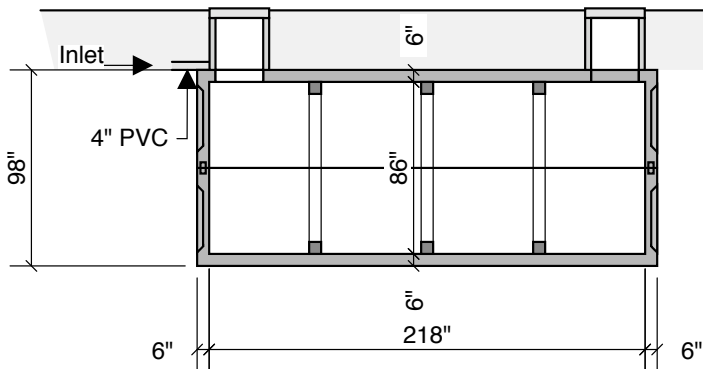
**Side View**



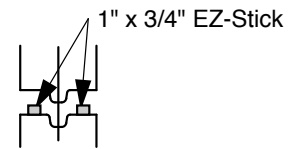
**Front View**



**SECTION B-B**



**Section A-A**



**Typical Tongue  
& Groove Joint**

Notes:  
Concrete - 5000 PSI  
Joint Sealant - High Grade EZ-Stick  
Labels - Warning signs located on all manholes  
Installation - See separate installation guide  
Rubber Gaskets - Press Seal

**Crest Precast, Inc.**  
**La Crescent, MN & Barneveld, WI**  
800-658-9045

|                    |                                  |                   |     |
|--------------------|----------------------------------|-------------------|-----|
| Scale              |                                  | Drawn By:         | KGT |
| Date               |                                  | Revision          |     |
| <b>Project:</b>    | <b>PUMP TANK<br/>7500 GALLON</b> |                   |     |
| <b>Contractor:</b> | Drawing Number                   | <b>MODEL 7500</b> |     |