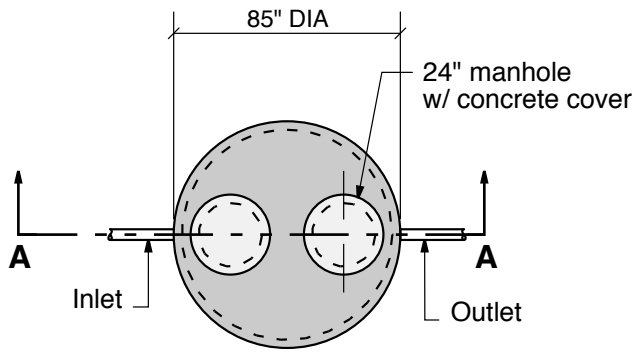
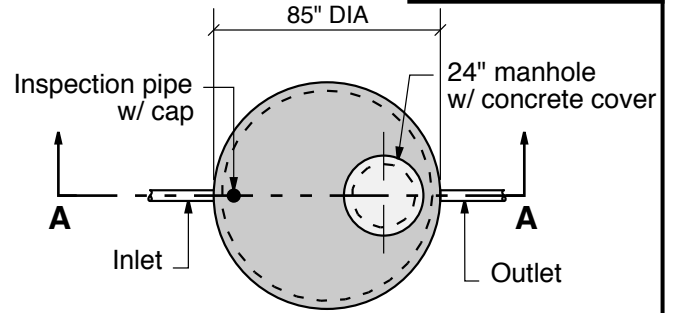


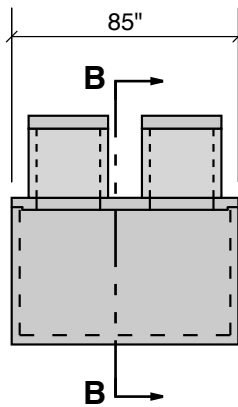
**780 GALLON
36" LL
41" INLET**



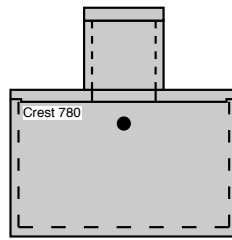
Top View Septic Tank



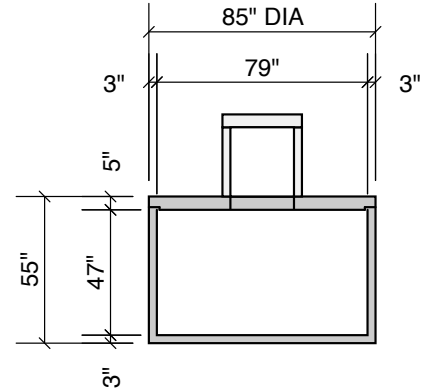
Top View Pump Tank



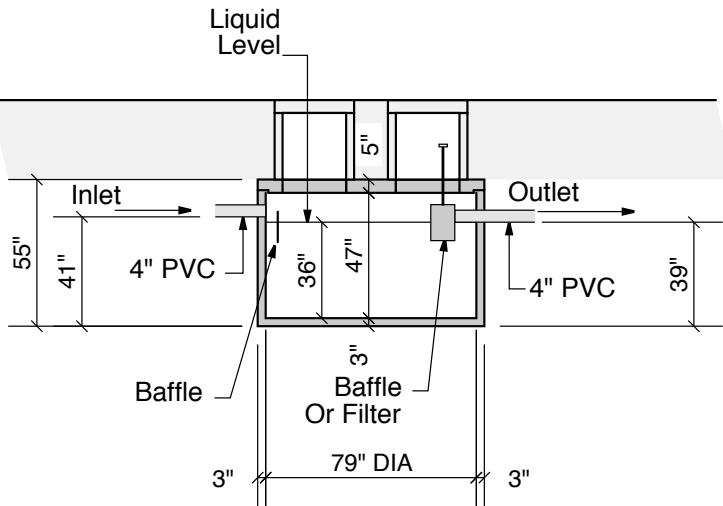
Side View



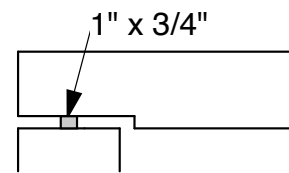
End View



Section B-B



Section A-A



Typical Cover Detail

Notes:
Concrete - 5000 PSI
Joint Sealant - High Grade EZ-Stick
Labels - Warning signs located on all manholes
Installation - See separate installation guide
Baffles Installed
Rubber Gaskets - Press Seal

Crest Precast, Inc.
La Crescent, MN & Barneveld, WI
800-658-9045

| | | | |
|--------------------|---|-----------------|--------------------|
| Scale | | Drawn By: | KGT |
| Date | | Revision | |
| Project: | SEPTIC TANK 780 GALLON ROUND | | |
| Contractor: | | Drawing Number: | MODEL 780-R |