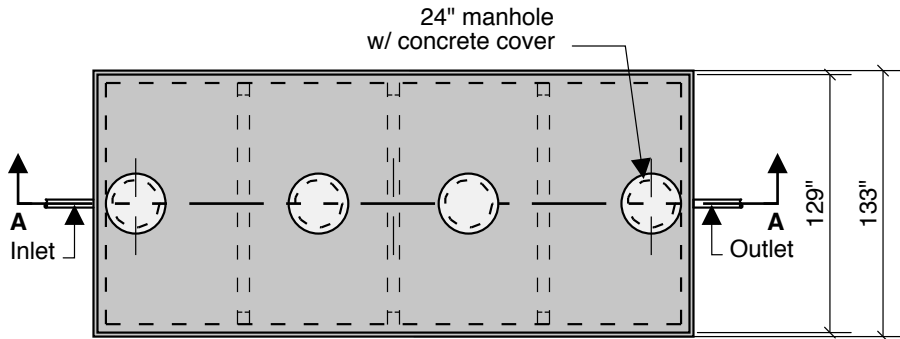
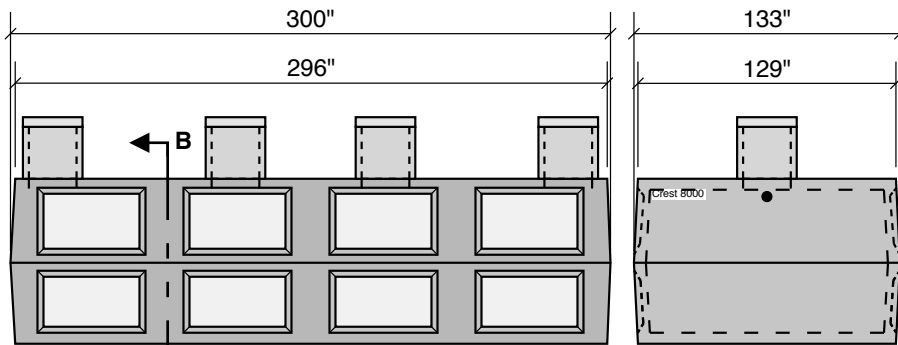


**8000 GALLON
55" LL
62" INLET**

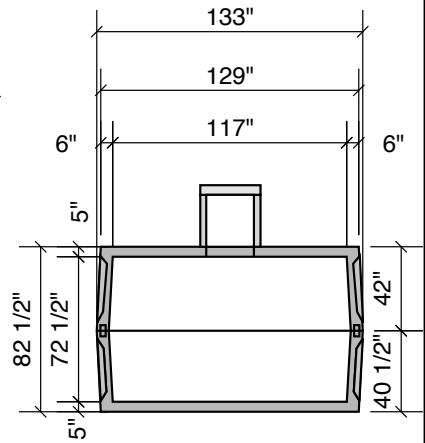


Top View

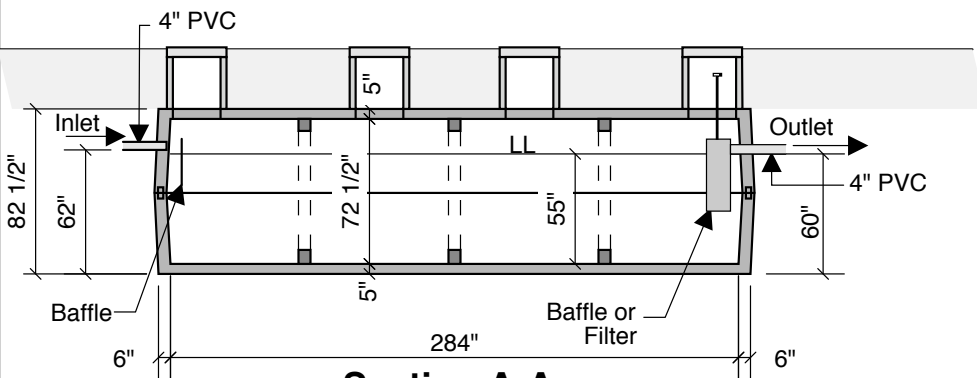


Side View

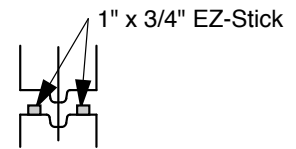
End View



SECTION B-B



Section A-A



Typical Tongue & Groove Joint

Septic - Pump - Holding - Recirculation Or Grease Tank

Notes:
Concrete - 5000 PSI
Joint Sealant - High Grade EZ-Stick
Labels - Warning signs located on all manholes
Installation - See separate installation guide
Baffles Installed
Rubber Gaskets - Press Seal

Crest Precast, Inc.
La Crescent, MN & Barneveld, WI
800-658-9045

| | | | |
|--------------------|------------------------------------|----------------|-------------------|
| Scale | | Drawn By: | KGT |
| Date | | Revision | |
| Project: | SEPTIC TANK 8000 GALLON | | |
| Contractor: | | Drawing Number | MODEL 8000 |