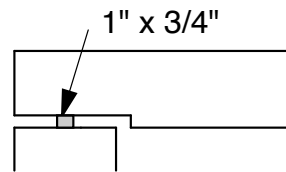
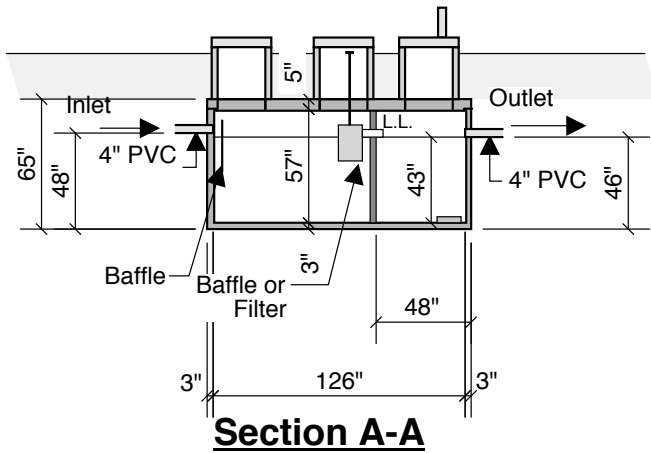
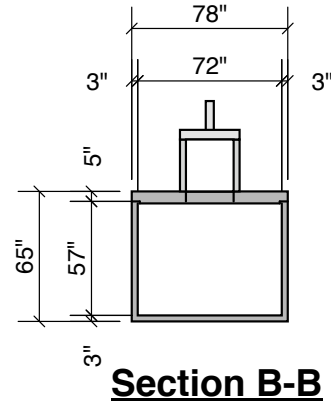
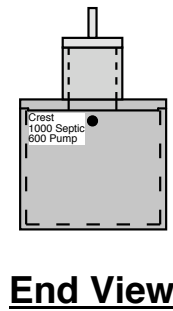
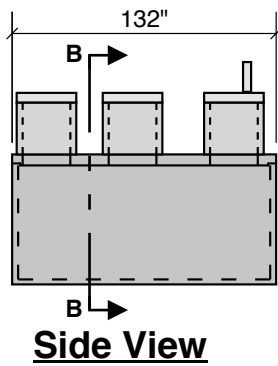
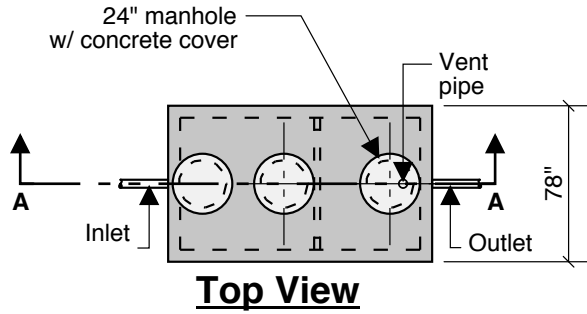


**1000 Septic 600 Pump
43" LL
48" INLET**

COMBINATION SEPTIC - PUMP



**Septic Tank Size 1,000 gal
Pump Chamber Size 600 gal
14.20 G.P.I. in Pump Chamber**

Notes:
Concrete - 5000 PSI
Joint Sealant - High Grade EZ Stick
Labels - Warning signs located on all manholes
Installation - See separate installation guide
Baffles Installed
Rubber Gaskets - Press Seal
Sealed Interior Wall

Crest Precast, Inc.
La Crescent, MN & Barneveld, WI
800-658-9045

Scale		Drawn By:	KGT
Date		Revision	
Project:	SEPTIC-PUMP TANK		
Contractor:	Drawing Number		MODEL 1000-600-48