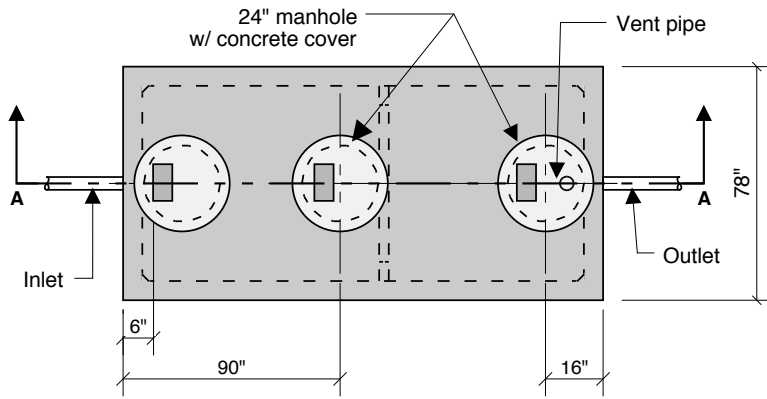
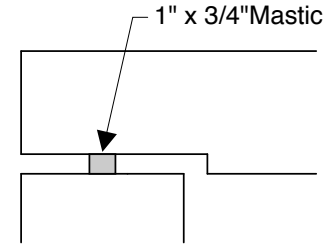


**1300 Septic 850 Pump
43" LL
48" INLET**

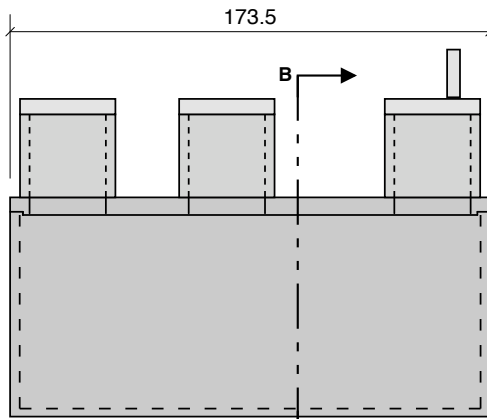
COMBINATION SEPTIC - PUMP



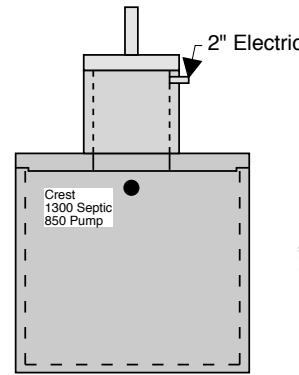
Top View



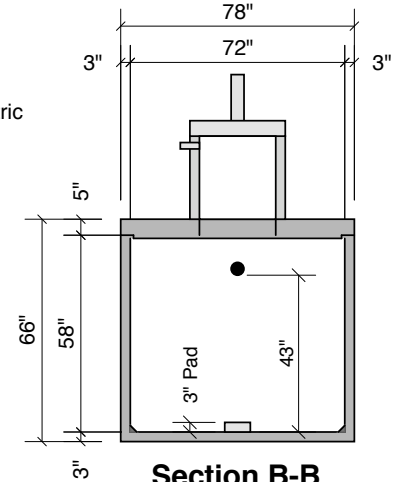
Typical Cover Detail



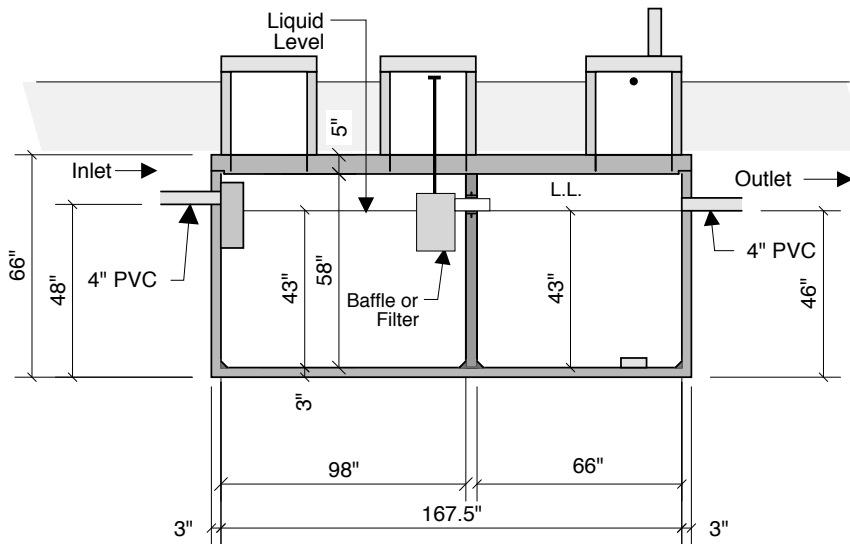
Side View



End View



Section B-B



Section A-A

**Septic Tank Size 1,300 gal
Pump Chamber Size 850 gal
20.60 G.P.I. In Pump Chamber**

- Notes:**
 Concrete - 5000 PSI
 Joint Sealant - High Grade EZ Stick
 Labels - Warning signs located on all manholes
 Installation - See separate installation guide
 Baffles Installed
 Rubber Gaskets - Press Seal
 Sealed Interior Wall

Crest Precast, Inc.
La Crescent, MN & Barneveld, WI
 800-658-9045

Scale		Drawn By: KGT
Date		Revision
Project:	SEPTIC-PUMP TANK	
Contractor:	Drawing Number	MODEL 1300-850-48