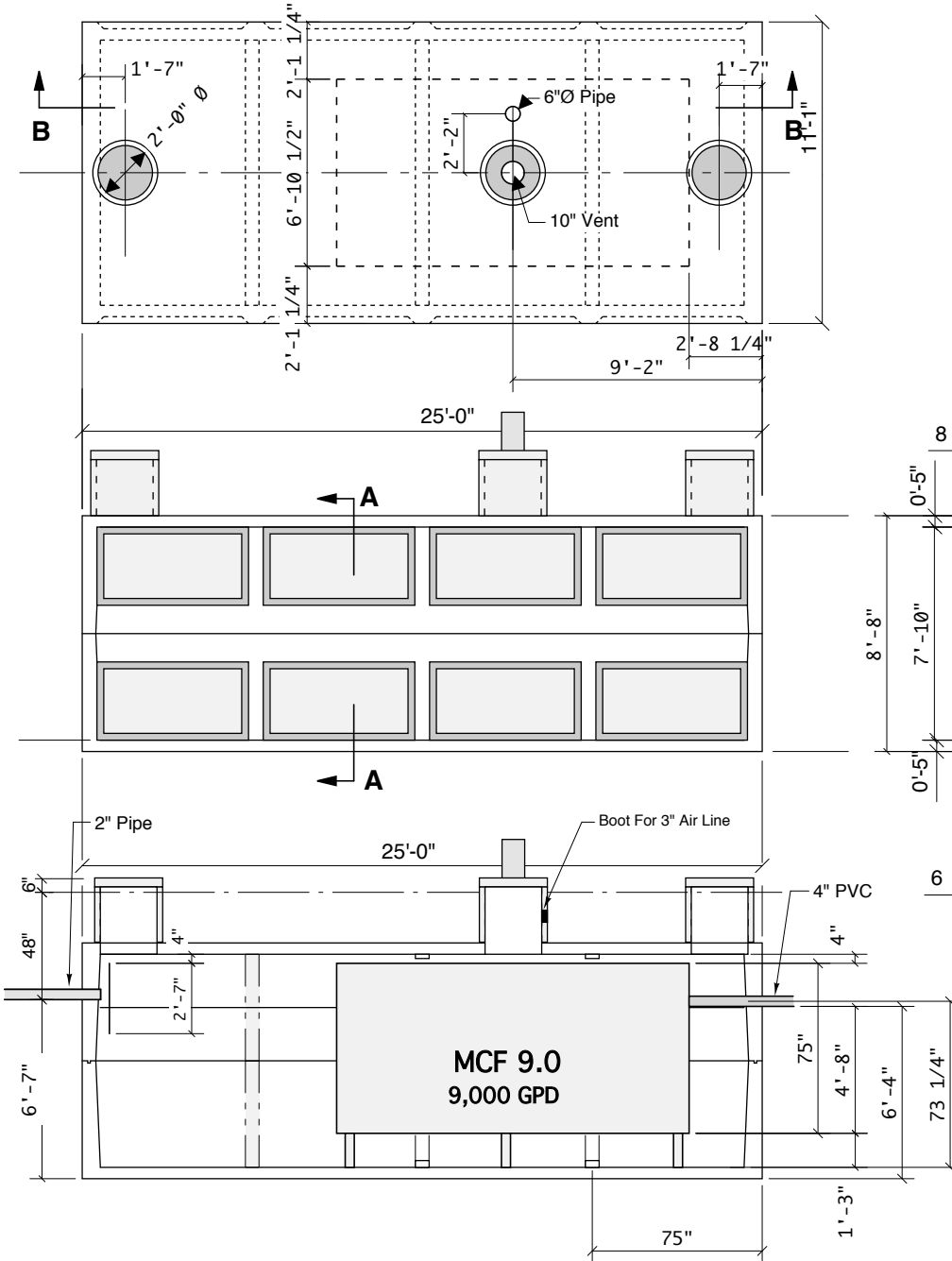


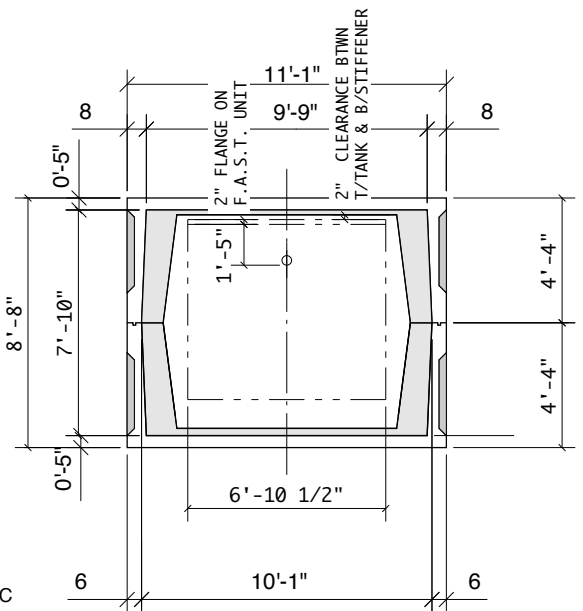
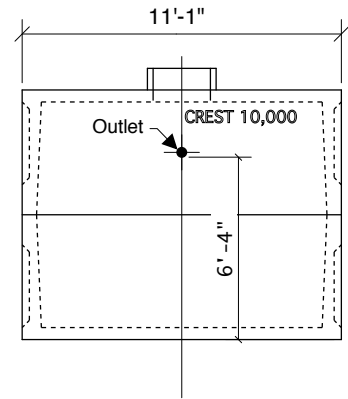
MICRO-FAST 9.0 10,000 Tank 71" LL 79" INLET

Volume

Length" x Width" x Liquid" / 231
288" x 121" x 71"(Liquid Level)/231 = 10,700 Gallons



Section B-B



Section A-A

DESIGN NOTES

- W/C RATIO 0.45 OR LESS
- 60" MAX. BURY DEPTH OVER TOP COVER
- RANDOM VACUUM OR WATER TESTING BY CREST

INSTALLATION NOTES:

- PLUMBING CONTRACTOR TO SEAL FAST UNIT TO TANK COVER. PLUMBER OR DEALER TO PROVIDE SEMI-ANNUAL INSPECTIONS OR SERVICE.
- Follow CREST bedding and backfill instructions.

EFFLUENT QUALITY (AVERAGE VALUE)

- LESS THAN 10 MG/L B.O.D.
- LESS THAN 10 MG/L S.S.
- LESS THAN 10 MG/L PHOSPHORUS

SPECIFICATIONS

- CONCRETE - 5,000 PSI
- REINFORCE 6" OCEW
- MASTIC EZ STICK
- RUBBER BOOTS @ INLET & OUTLET - PRESS SEAL OR A-LOK BRAND
- SEAL AND ATTACH FAST INSERT TO PRECAST TANK PER MFG. INSTRUCTIONS
- INLETS & OUTLETS CAN BE 4" OR 6" DIA.

Crest Precast, Inc.
La Crescent, MN & Barneveld, WI
800-658-9045

Scale	Drawn By: KGT
Date	Revision
Project: Bio-Microbics F.A.S.T. - MCF 9.0	
Contractor:	Drawing Number: MODEL 10000-9.0