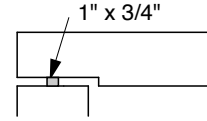
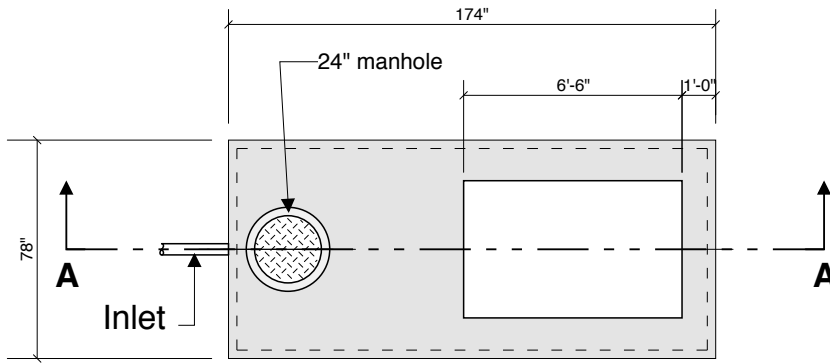


**MICRO-FAST 1.5  
2500 Tank  
46" LL  
53" INLET**

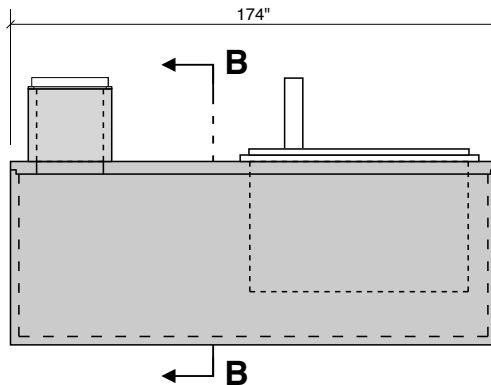
Install a 750 Gallon  
Trash Tank Upstream From This Tank



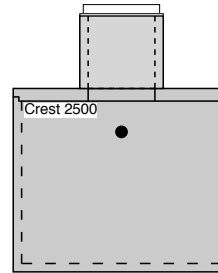
**Typical Cover Detail**



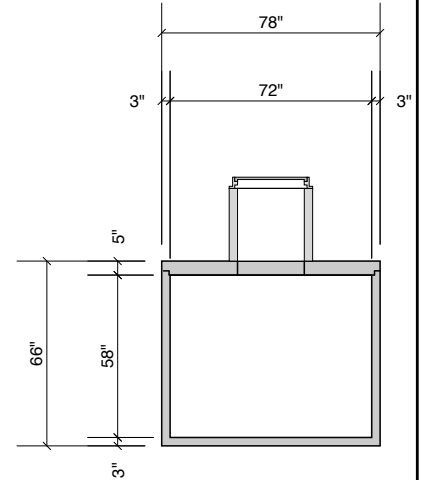
**Top View**



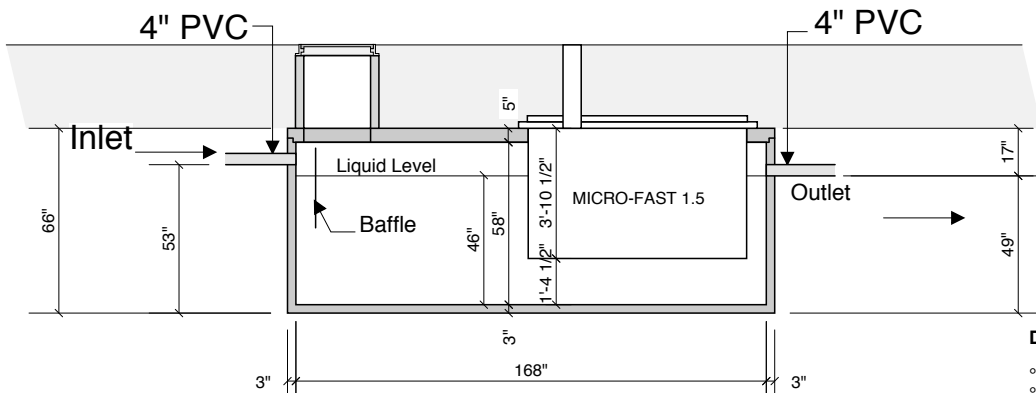
**Side View**



**End View**



**Section B-B**



**Section A-A**

**DESIGN NOTES**

- W/C RATIO 0.45 OR LESS
- 60" MAX. BURY DEPTH OVER TOP COVER
- RANDOM VACUUM OR WATER TESTING BY CREST

**INSTALLATION NOTES:**

- PLUMBING CONTRACTOR TO SEAL FAST UNIT TO TANK COVER. PLUMBER OR DEALER TO PROVIDE SEMI-ANNUAL INSPECTIONS OR SERVICE.
- Follow CREST bedding and backfill instructions.

**EFFLUENT QUALITY (AVERAGE VALUE)**

- LESS THAN 10 MG/L B.O.D.
- LESS THAN 10 MG/L S.S.
- LESS THAN 10 MG/L PHOSPHORUS

- SPECIFICATIONS
- CONCRETE - 5,000 PSI
- REINFORCE 6" OCEW
- MASTIC EZ-STICK
- RUBBER BOOTS @ INLET & OUTLET - PRESS SEAL OR A-LOK BRAND
- SEAL AND ATTACH FAST INSERT TO PRECAST TANK PER MFG. INSTRUCTIONS
- INLETS & OUTLETS CAN BE 4" OR 6" DIA.

**Crest Precast, Inc.**  
**La Crescent, MN & Barneveld, WI**  
800-658-9045

Scale	Drawn By: <b>KGT</b>
Date	Revision
<b>Project: Bio-Microbics F.A.S.T. - MCF 1.5</b>	
<b>Contractor:</b>	Drawing Number <b>MODEL 2500-1.5</b>