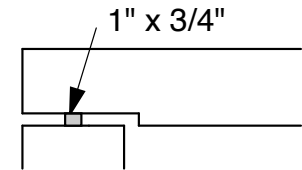
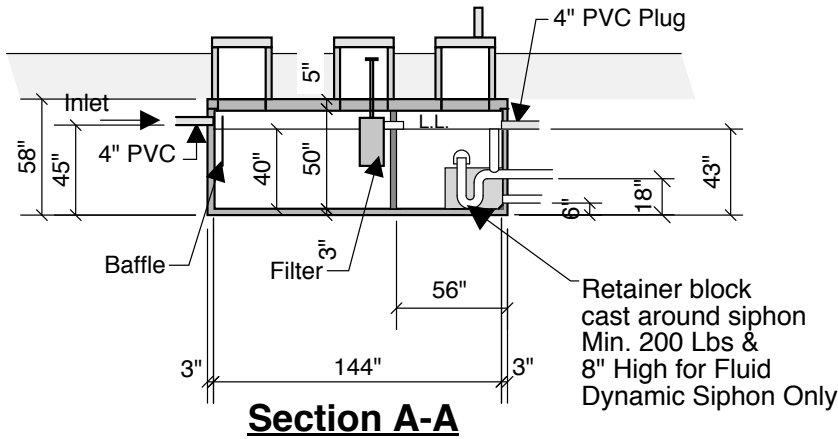
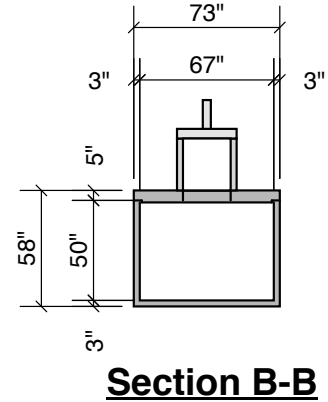
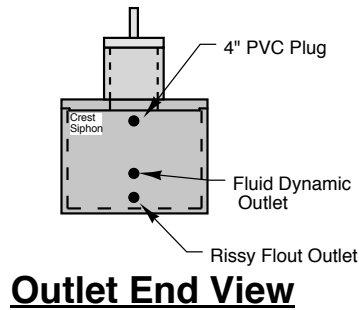
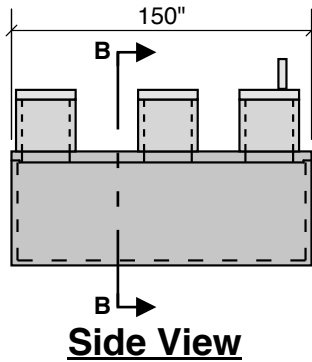
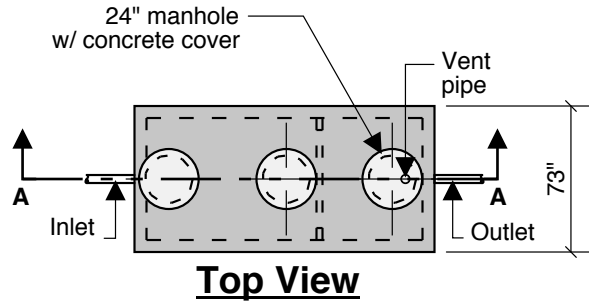


**1000 Septic 600 Pump
or Siphon Tank
45" INLET**



Fluid Dynamic Siphon
18" Below Outlet

- 3-13 - 13" Draw = 200 Gallon Dose
- 3-08 - 8" Draw = 123 Gallon Dose

Rissy Flout Siphon
6" Below Outlet

- 3-13 - 13" Draw = 200 Gallon Dose
- 3-08 - 8" Draw = 123 Gallon Dose

Notes:
Concrete - 5000 PSI
Joint Sealant - High Grade EZ Stick
Labels - Warning signs located on all manholes
Installation - See separate installation guide
Baffles Installed
Rubber Gaskets - Press Seal
Sealed Interior Wall

Crest Precast, Inc.
La Crescent, MN & Barneveld, WI
800-658-9045

Scale		Drawn By:	KGT
Date	2-9-10	Revision	
Project:		Std. Siphon Tank	
Contractor:		Drawing Number MODEL 1000-600-45	