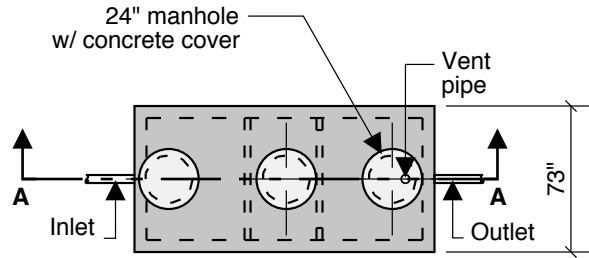
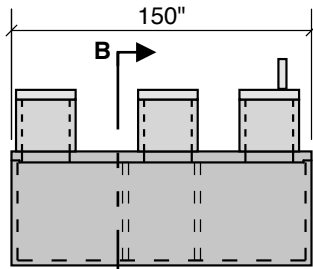


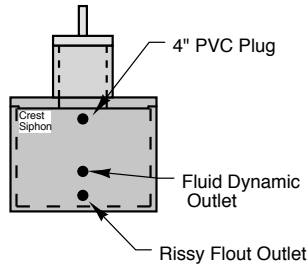
**600 Septic 400 Septic 600 Pump
or Siphon Tank
45" INLET**



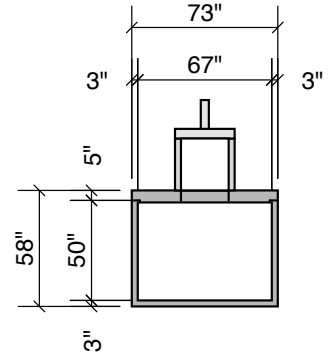
Top View



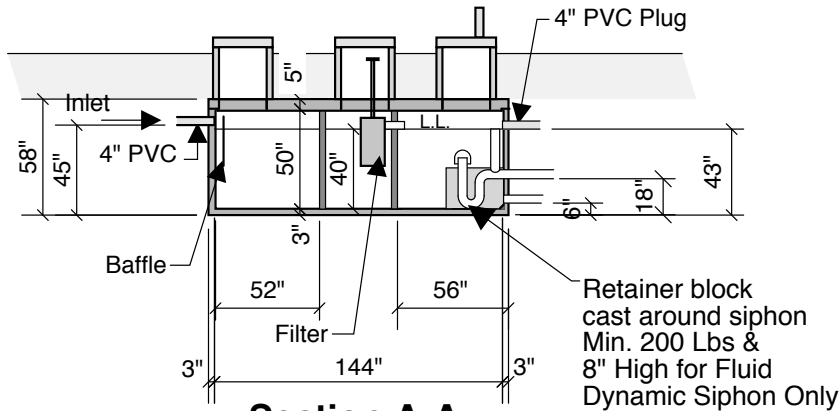
Side View



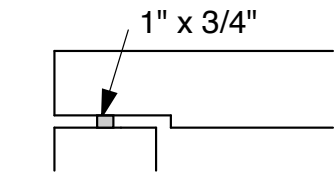
Outlet End View



Section B-B



Section A-A



Typical Cover Detail

Crest Model 646 Siphon

Fluid Dynamic Siphon

18" Below Outlet

- 3-13 - 13" Draw = 200 Gallon Dose
- 3-08 - 8" Draw = 123 Gallon Dose

Rissy Flout Siphon

6" Below Outlet

- 3-13 - 13" Draw = 200 Gallon Dose
- 3-08 - 8" Draw = 123 Gallon Dose

Notes:
 Concrete - 5000 PSI
 Joint Sealant - High Grade EZ Stick
 Labels - Warning signs located on all manholes
 Installation - See separate installation guide
 Baffles Installed
 Rubber Gaskets - Press Seal
 Sealed Interior Wall

Crest Precast, Inc.
La Crescent, MN & Barneveld, WI
 800-658-9045

Scale		Drawn By:	KGT
Date	2-9-10	Revision	
Project:	Std. 646 Siphon Tank		
Contractor:	Drawing Number MODEL 1000-600-45		