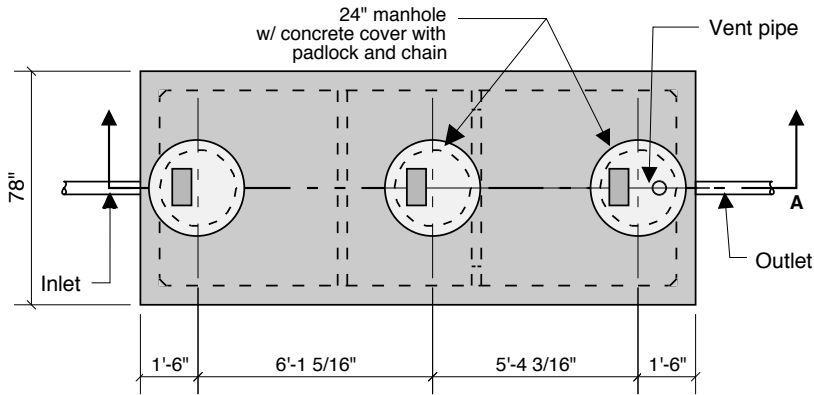
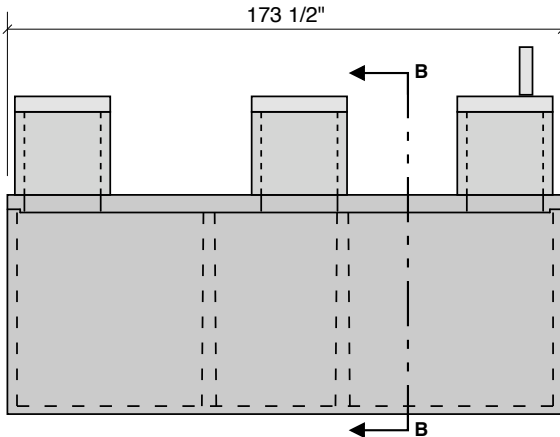


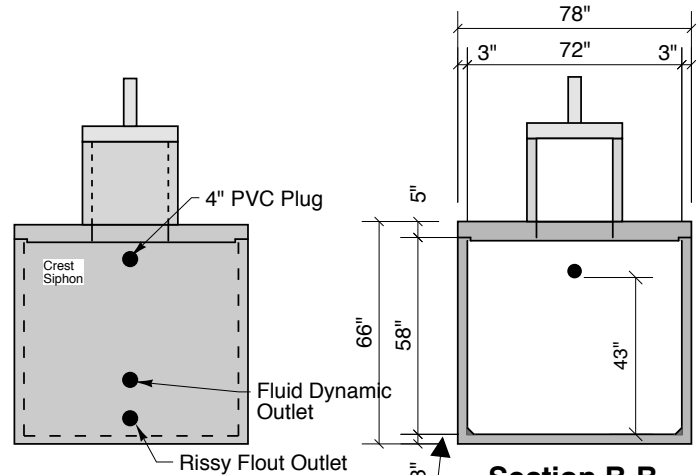
**750 Septic 500 Septic 750 Pump
Or Siphon Tank
48" INLET**



Top View

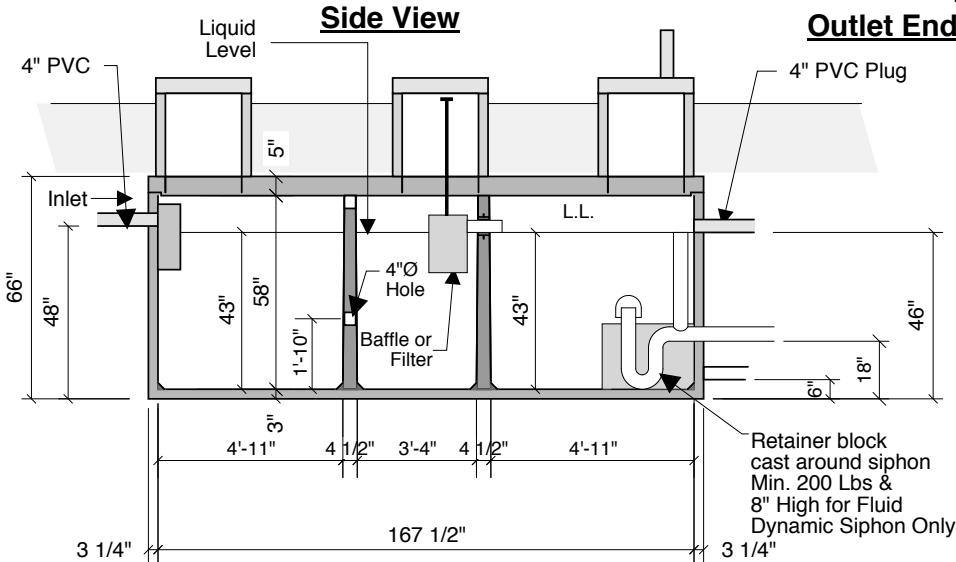


Side View



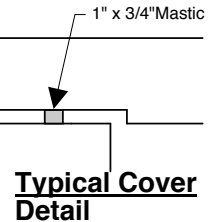
Outlet End View

Section B-B



Section A-A

All interior inside corners have 2" miter



Typical Cover Detail

CREST MODEL 757

Fluid Dynamic Siphon

18" Below Outlet

- 3-13 - 13" Draw = 200 Gallon Dose
- 3-08 - 8" Draw = 123 Gallon Dose

Rissy Flout Siphon

6" Below Outlet

- 3-13 - 13" Draw = 200 Gallon Dose
- 3-08 - 8" Draw = 123 Gallon Dose

Notes:
Concrete - 5000 PSI
Joint Sealant - High Grade EZ Stick
Labels - Warning signs located on all manholes
Installation - See separate installation guide
Baffles Installed
Rubber Gaskets - Press Seal
Sealed Interior Wall

Crest Precast, Inc.
La Crescent, MN & Barneveld, WI
800-658-9045

Scale		Drawn By:	KG
Date	2-11-10	Revision	
Project:		Std. 757 Siphon Tank	
Contractor:		Drawing Number	MODEL 757