

PROPOSED 59'-0" X 23'-0" PRECAST STORM BUILDING -
 58'-0" X 22'-0" INSIDE = 1276 SQ FT - OCCUPANCY 250
 THIS IS AN EXTERIOR SHELTER

MANUFACTURE NOTES:

1. CONCRETE - 5,500 LBS W/ 6% AIR
2. REINFORCEMENT - GRADE 60 STEEL
3. EMBED PLATES - 3/8" THICK MIN
4. CONNECTIONS - SEE DRAWINGS
5. ERECTION ANCHORS - 4 TON BURKE INSERTS
6. INTERIOR FINISH - SMOOTH CONCRETE
7. EXTERIOR FINISH - SPLIT BLOCK GRAY COLOR
8. JOINTS ARE CAULKED WITH DYNOMIC BRAND CAULK

Crest Precast, Inc.

La Crescent, MN & Barneveld, WI

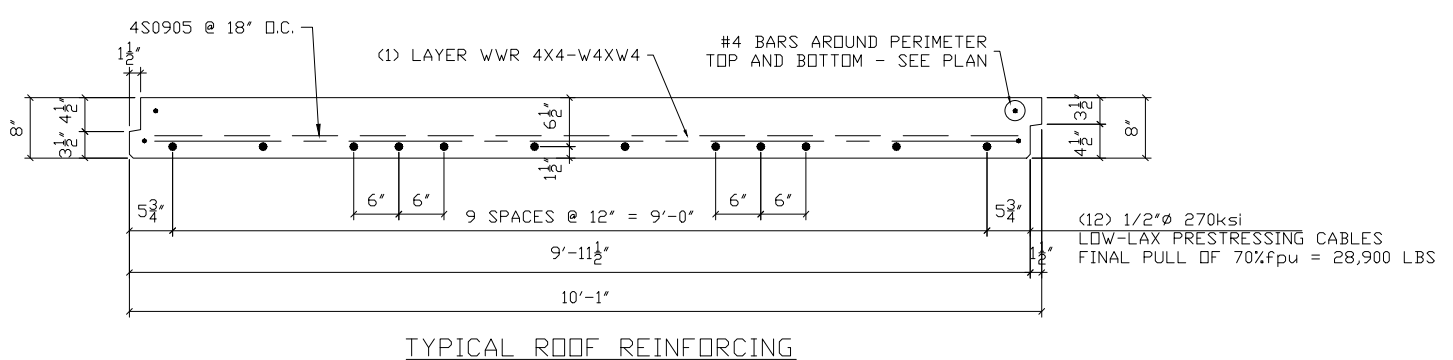
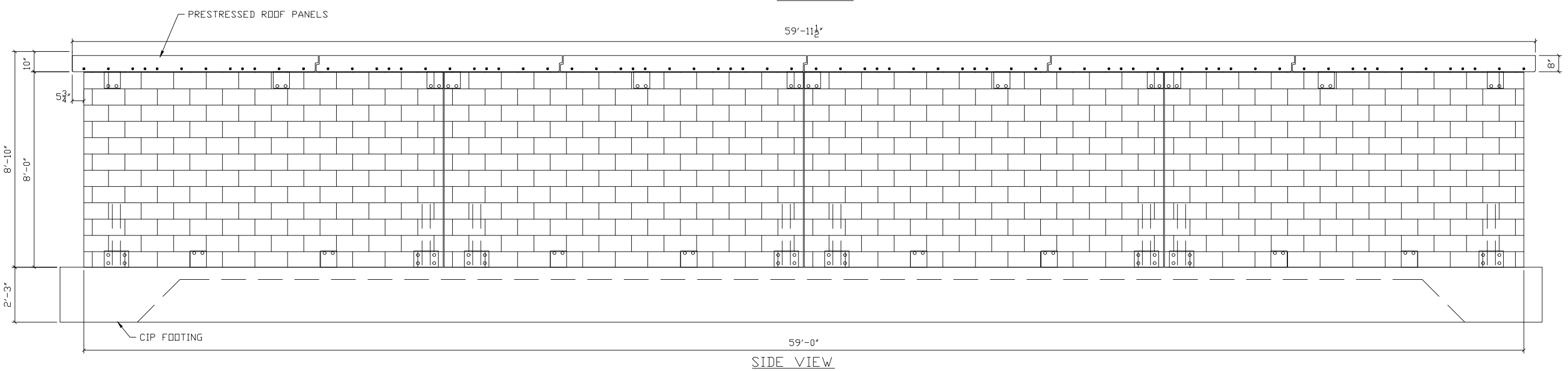
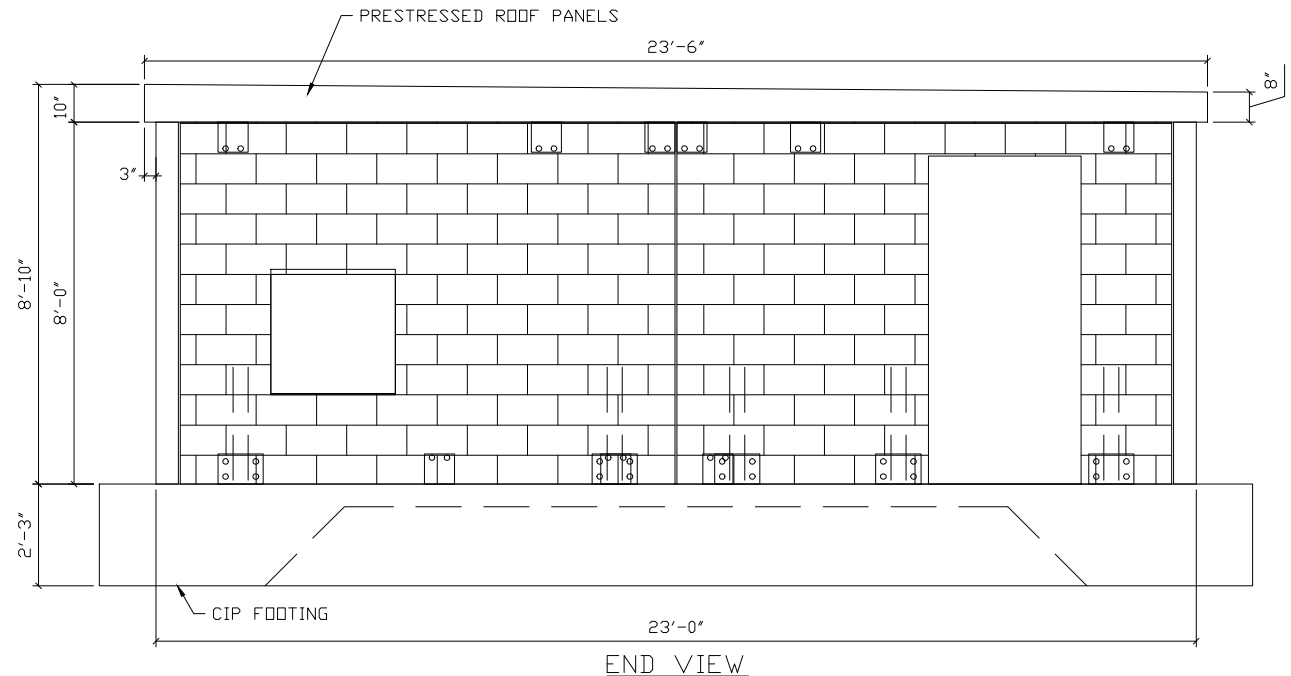
800-658-9045

Crest Job # - _____ Drawn By: KGT

Date 10-9-13 _____ Revision _____

Project: 58'-0" X 22'-0" STORM BUILDING

Contractor: _____ Drawing Number E1



Crest Precast, Inc.		800-658-9045	
La Crescent, MN & Barneveld, WI		800-658-9045	
Crest Job # -		Drawn By:	KGT
Date	10-9-13	Revision	
Project:		30'-0" X 40'-0" STORM BUILDING	
Contractor:		Drawing Number	E2