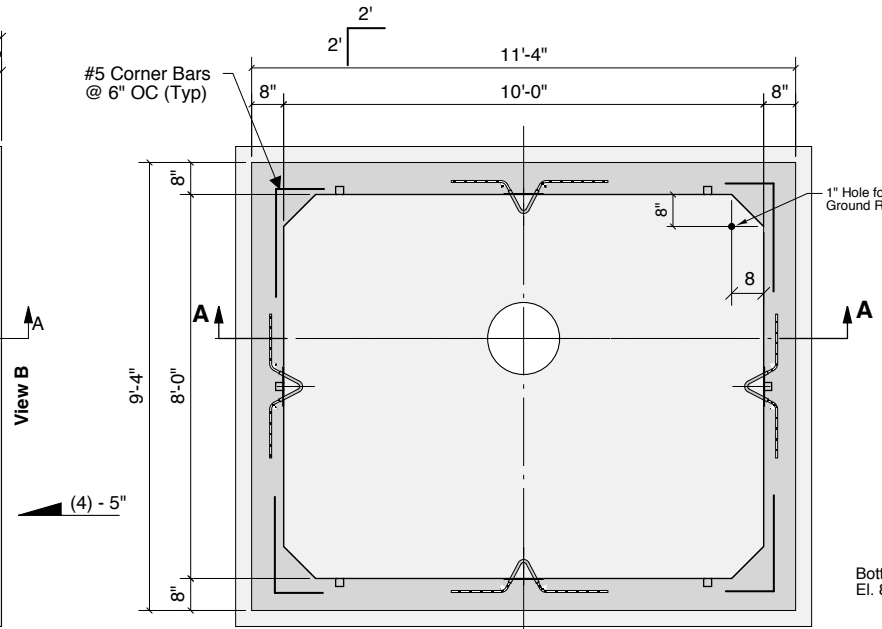
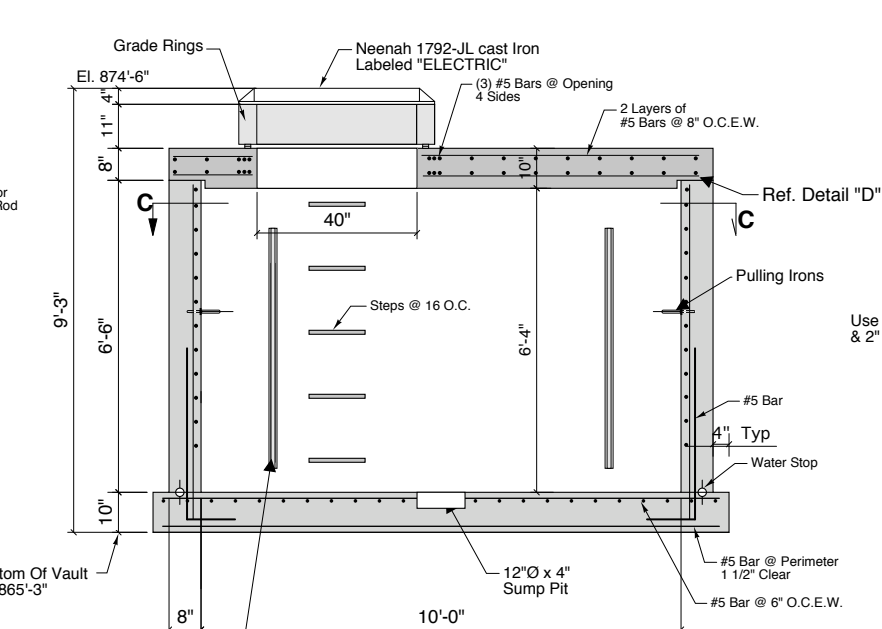


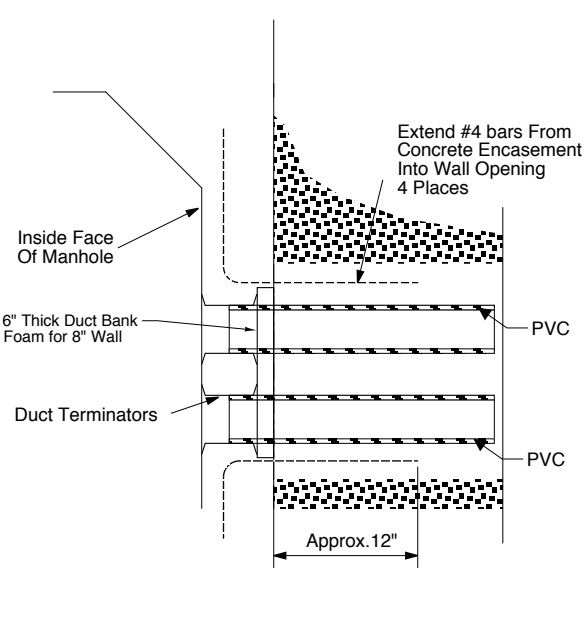
Top View



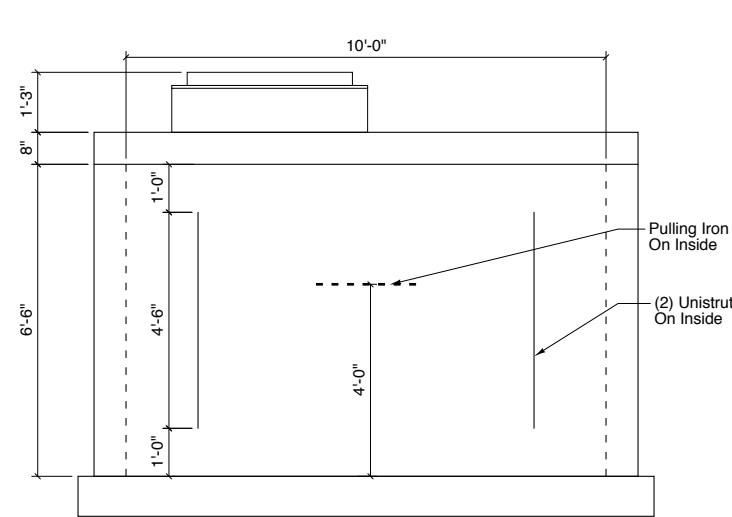
Bottom View



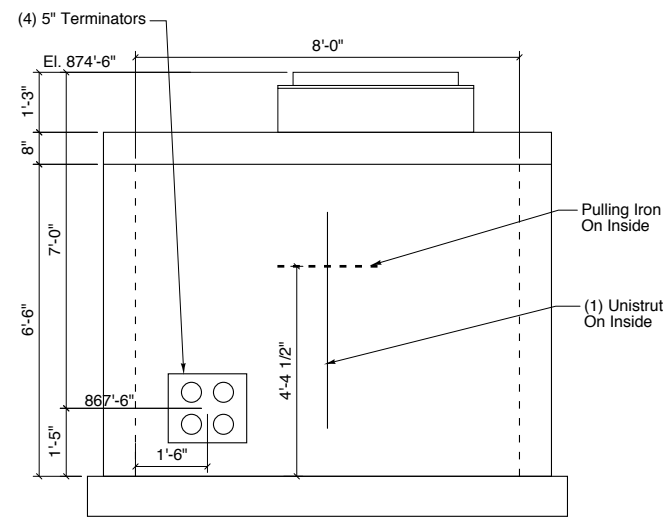
Section A-A



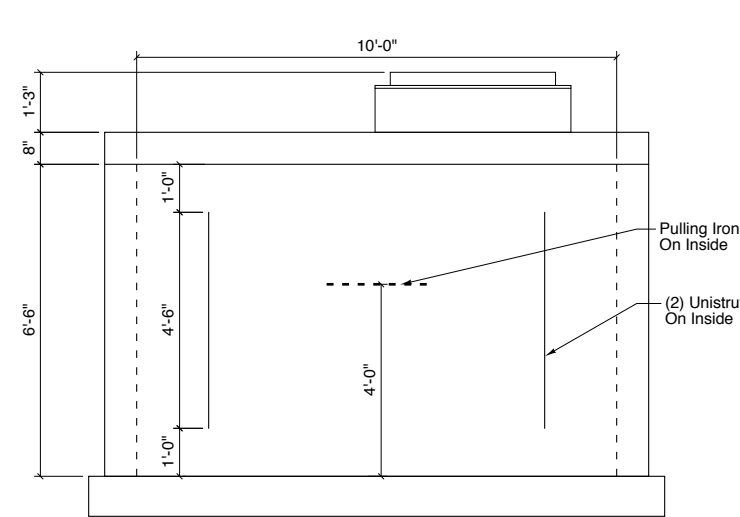
Ductbank Entrance Typical Detail



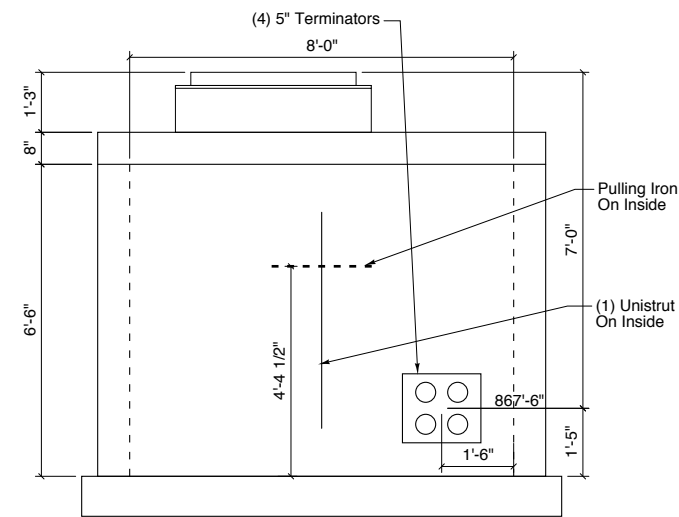
Wall A
Outside Looking In



Wall B
Outside Looking In



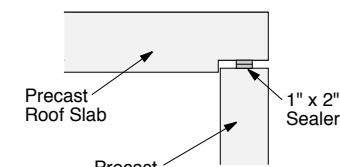
Wall C
Outside Looking In



Wall D
Outside Looking In

- General Notes:**
- Concrete - 5,000 PSI
 - HS20 Wheel Load Design
 - Sumps & Pulling irons by Penn Insert
 - Joint Sealer - EZ-Stick
 - Optional Tremproof 60 Exterior Waterproofing
 - Pulling Irons - By Penn Insert w/ Plastic Cover
 - Reinforcement - #5 Bars @ 8" O.c.E.w. Grade 60 Plain Steel or WWF

Typ. Electric Vault
(10'-0" Wide x 8'-0" Long x 6'-6" Deep)



Detail "D"

Crest Precast, Inc.		La Crescent, MN & Barneveld, WI	
800-658-9045		Scale	Drawn By: KGT
Date		Revision	
Project: 10 x 8 x 6'-6" Electrical Vault		Drawing Number	
Contractor:		1	