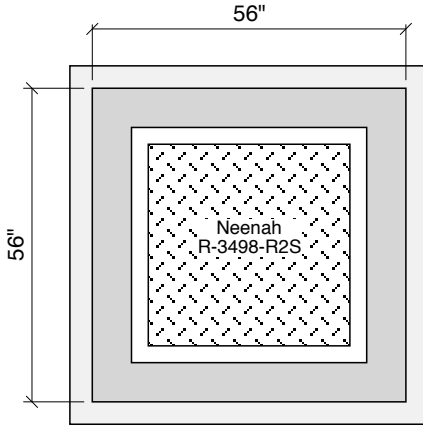
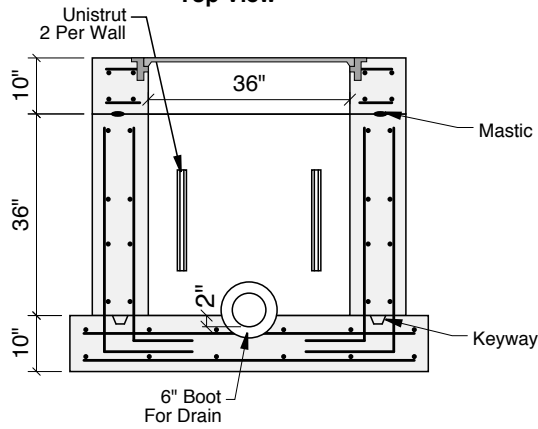


# Crest Handholes

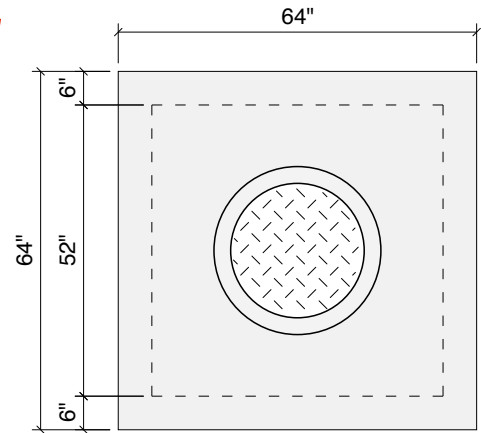


Top View

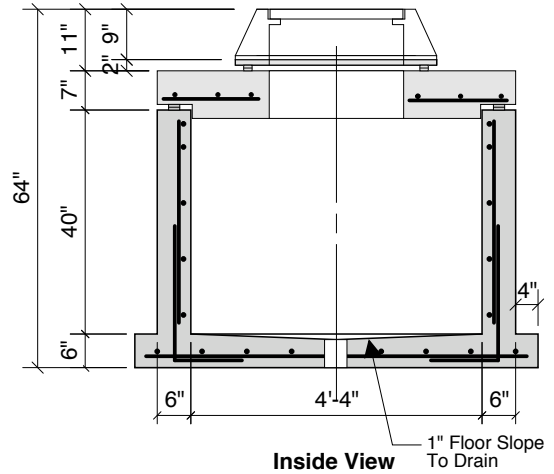


Inside View

**36" x 36" x 36" D  
Electric Handhole**

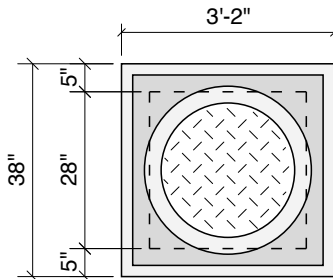


Top View

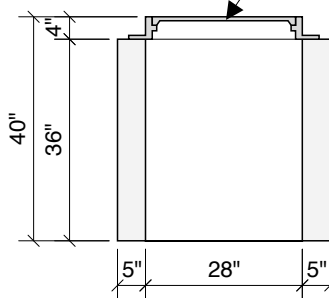


Inside View

**52" x 52" x 40" D  
Electric Handhole**

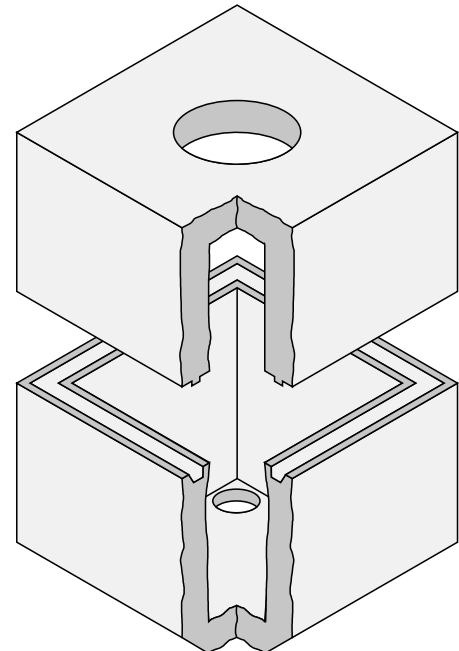


Top View - Neenah R-1794-J  
Labeled Electric



Inside View

**28" x 28" x 36" D  
Electric Handhole**



**48" x 48" x 48" D  
Electric Handhole**