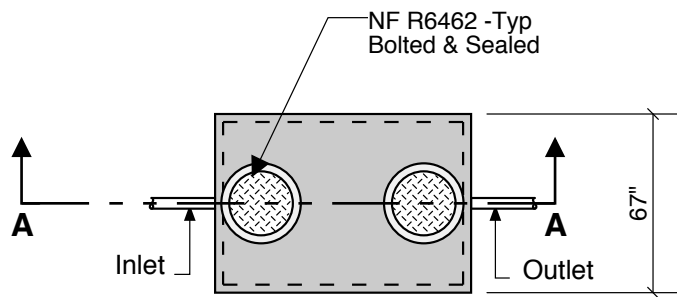
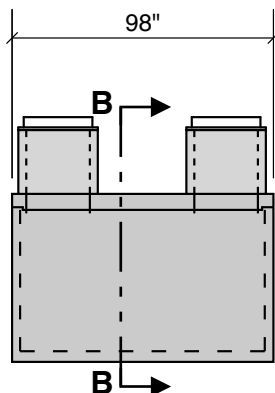


**1000 GALLON  
GREASE  
43" LL  
49" INLET**

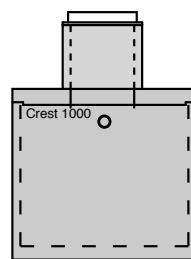
Single Compartment



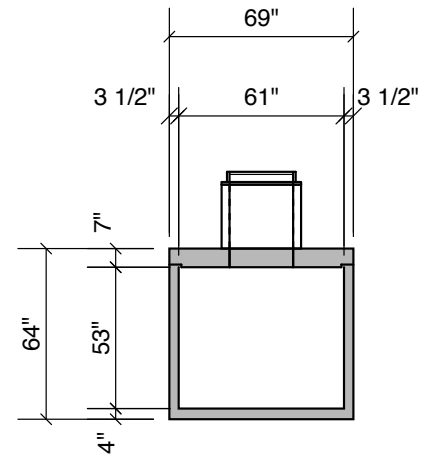
**Top View**



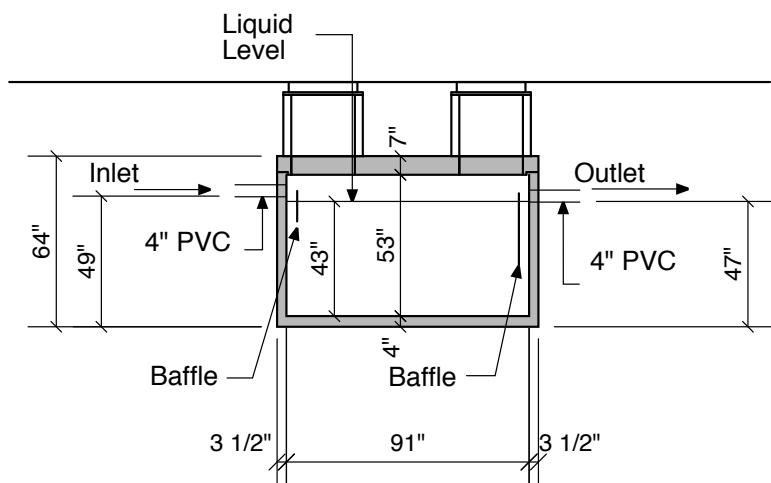
**Side View**



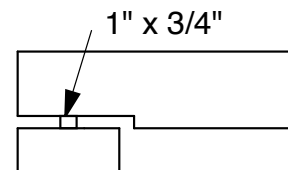
**End View**



**Section B-B**



**Section A-A**



**Typical Cover Detail**

Notes:  
 Concrete - 5000 PSI  
 Joint Sealant - High Grade EZ-Stick  
 Labels - Warning signs located on all manholes  
 Installation - See separate installation guide  
 Baffles Installed  
 Rubber Gaskets - Press Seal  
 Tank Designed To ASTM C-1227-90 and ASTM 1613-06

<b>Crest Precast, Inc.</b>		<b>La Crescent, MN &amp; Barneveld, WI</b>	
800-658-9045		800-658-9045	
Scale		Drawn By:	<b>KGT</b>
Date	<b>5-1-08</b>	Revision	
<b>Project:</b>	<b>1000 Gal. Grease Interceptor</b>		
<b>Contractor:</b>	Drawing Number		<b>MODEL 1000-GM</b>