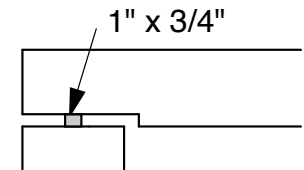
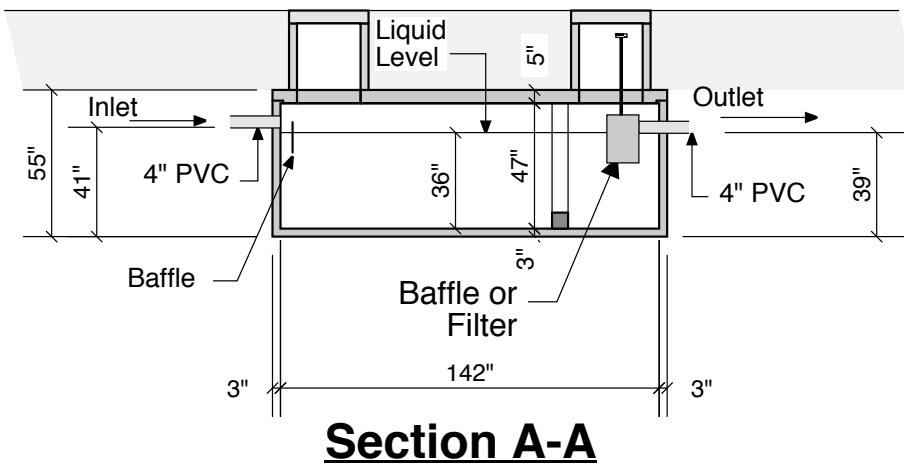
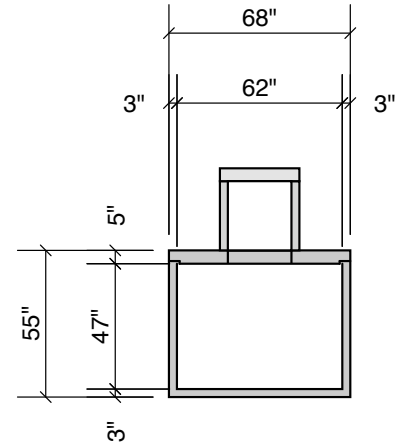
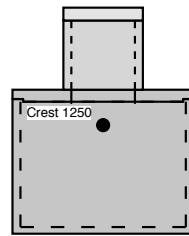
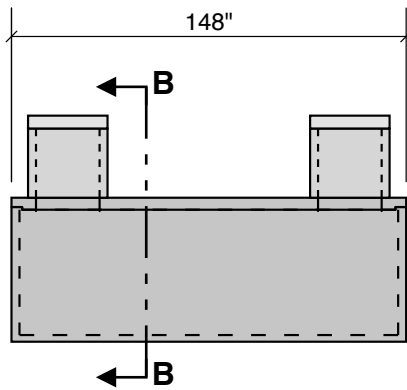
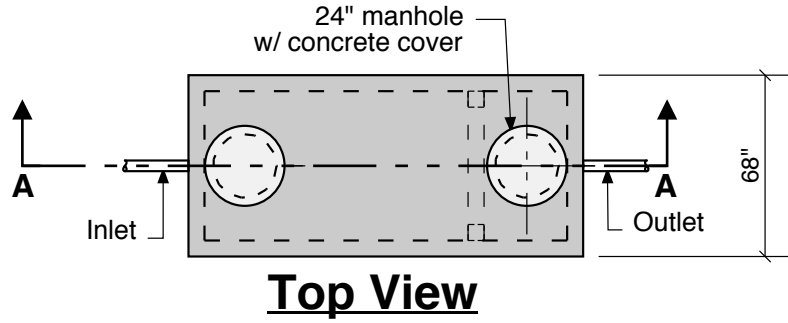


**1250 GALLON
36" LL
41" INLET**



Notes:
 Concrete - 5000 PSI
 Joint Sealant - High Grade EZ-Stick
 Labels - Warning signs located on all manholes
 Installation - See separate installation guide
 Baffles Installed
 Rubber Gaskets - Press Seal

Crest Precast, Inc.
La Crescent, MN & Barneveld, WI
 800-658-9045

Scale		Drawn By:	KGT
Date		Revision	
Project:	SEPTIC TANK 1250 GALLON LOW		
Contractor:		Drawing Number	MODEL 1250-L