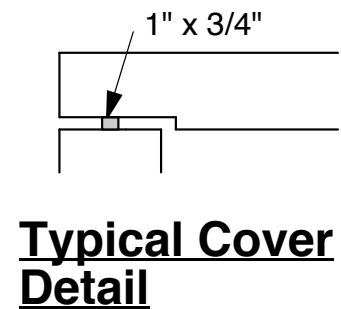
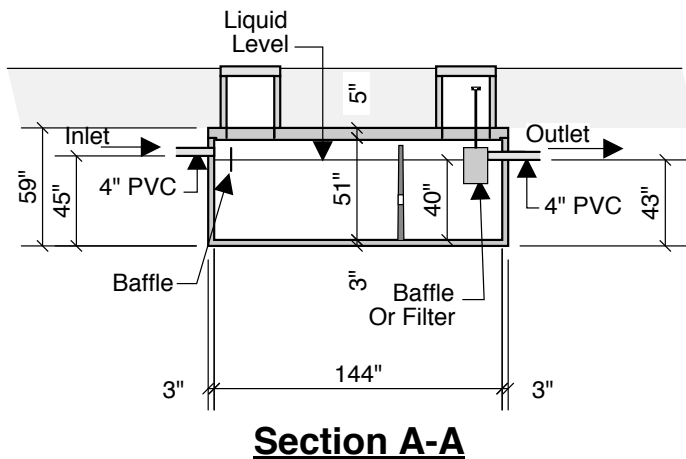
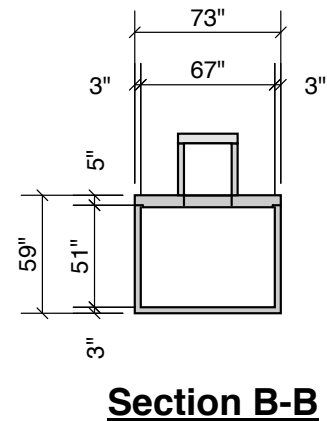
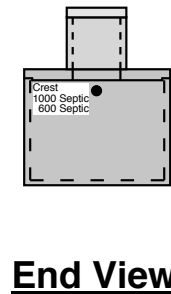
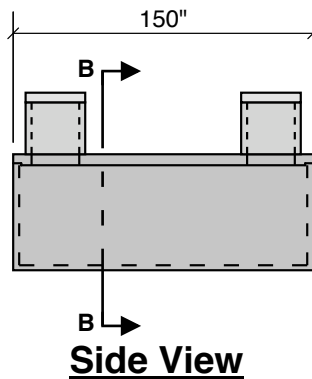
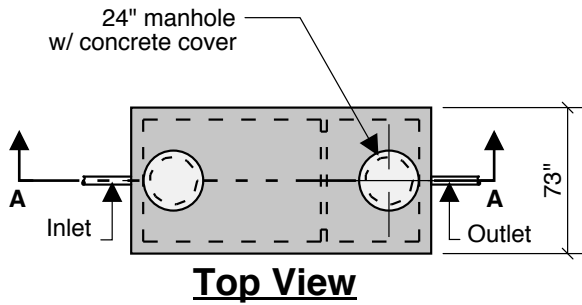


**1600 DS GALLON
40" LL
45" INLET**

Double Septic



2 Compartment 1600 Gallon Septic Tank

**1000 Gallons - Compartment #1
600 Gallons - Compartment #2**

- Notes:
 Concrete - 5000 PSI
 Joint Sealant - High Grade EZ-Stick
 Labels - Warning signs located on all manholes
 Installation - See separate installation guide
 Baffles Installed
 Rubber Gaskets - Press Seal

<i>Crest Precast, Inc.</i>		<i>La Crescent, MN & Barneveld, WI</i>	
800-658-9045		800-658-9045	
Scale		Drawn By:	KGT
Date		Revision	
Project:	SEPTIC TANK 1600 GALLON LOW DOUBLE SEPTIC		
Contractor:			Drawing Number: MODEL 1600-DS