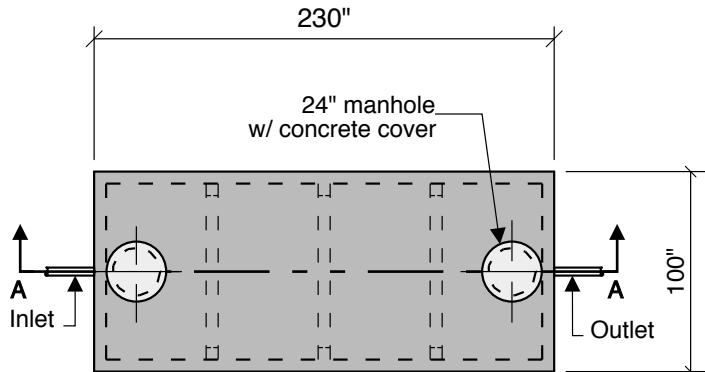
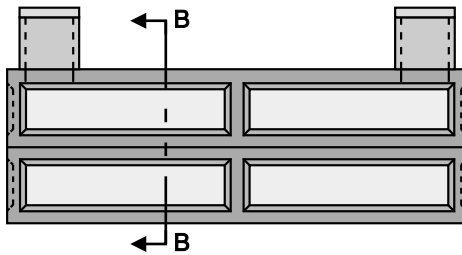


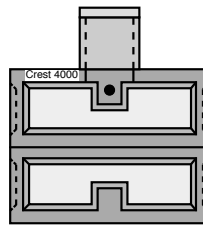
**4000 Split Seam  
53" LL  
60" INLET**



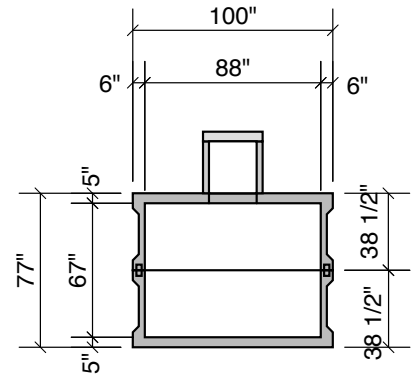
**Top View**



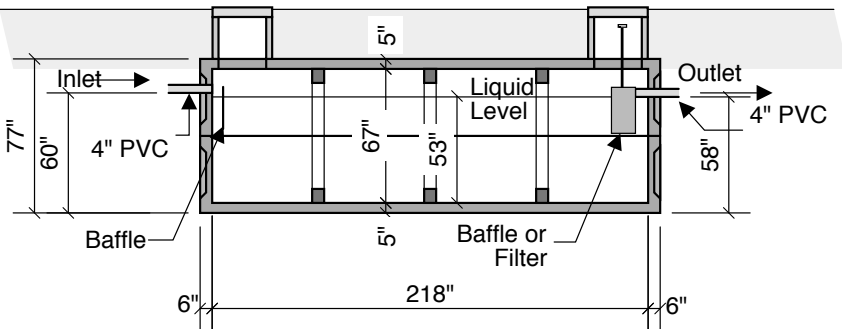
**Side View**



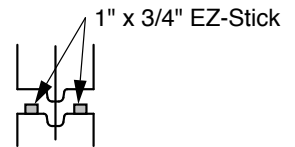
**End View**



**Section B-B**



**Section A-A**



**Typical Tongue & Groove Joint**

- Notes:  
 Concrete - 5000 PSI  
 Joint Sealant - High Grade EZ-Stick  
 Labels - Warning signs located on all manholes  
 Installation - See separate installation guide  
 Rubber Gaskets - Press Seal

**Crest Precast, Inc.**  
**La Crescent, MN & Barneveld, WI**  
 609 Kistler La Crescent, MN 55947

Scale:		Drawn By:	KGT
Date:	3-20-20	Revision:	
Project:	<b>Septic Tank 4000 Split Seam</b>		
Contractor:		Drawing Number:	<b>MODEL 4000</b>