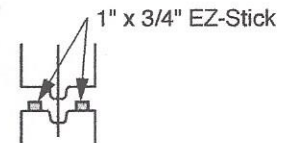
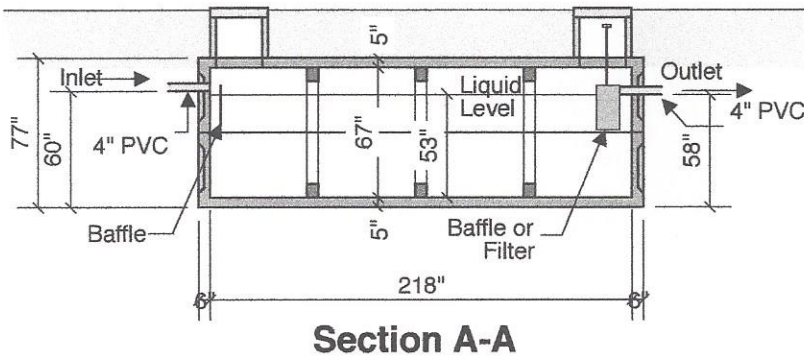
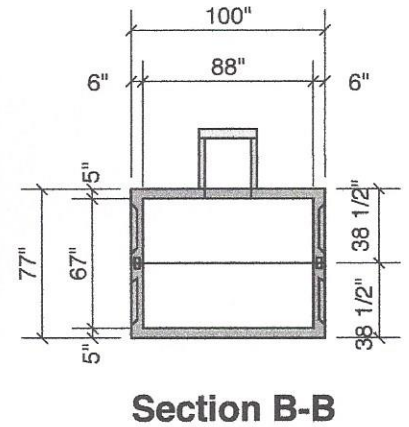
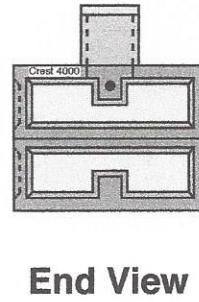
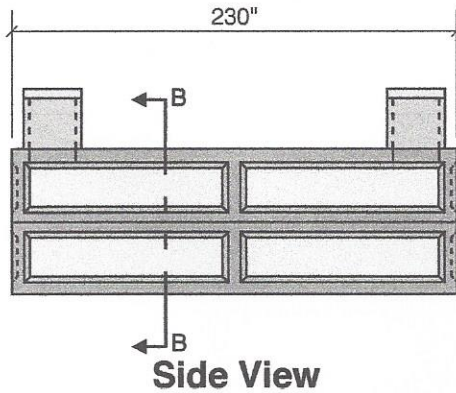
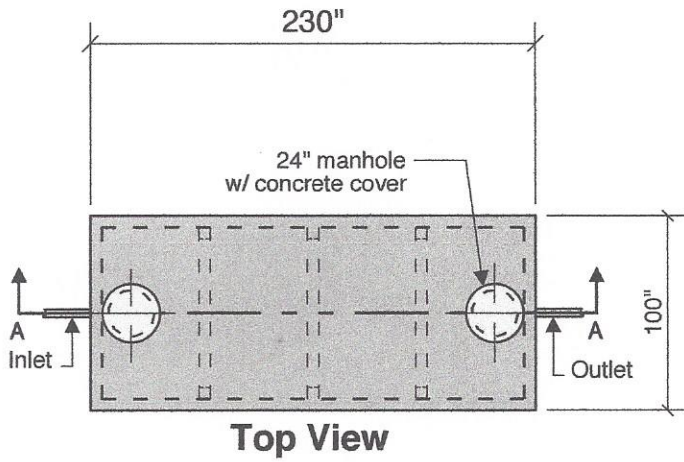


**4000 Split Seam
53" LL
60" INLET**



**Typical Tongue
& Groove Joint**

Crest Precast, Inc.		La Crescent, MN & Barneveld, WI	
609 Kistler La Crescent, MN 55947			
Scale		Drawn By:	KGT
Date	3-20-20	Revision	
Project:	Septic Tank 4000 Split Seam		
Contractor:	Drawing Number	MODEL 4000	