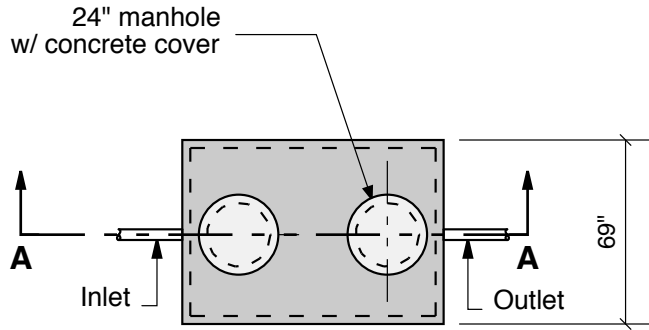
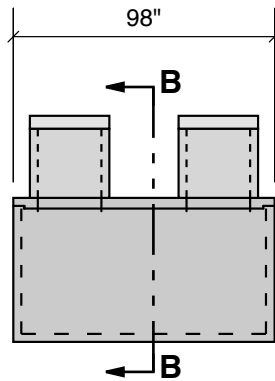


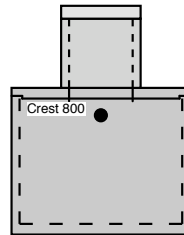
**800 GALLON
35" LL
41" INLET**



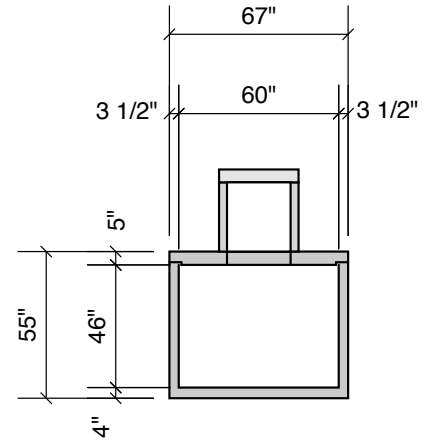
Top View



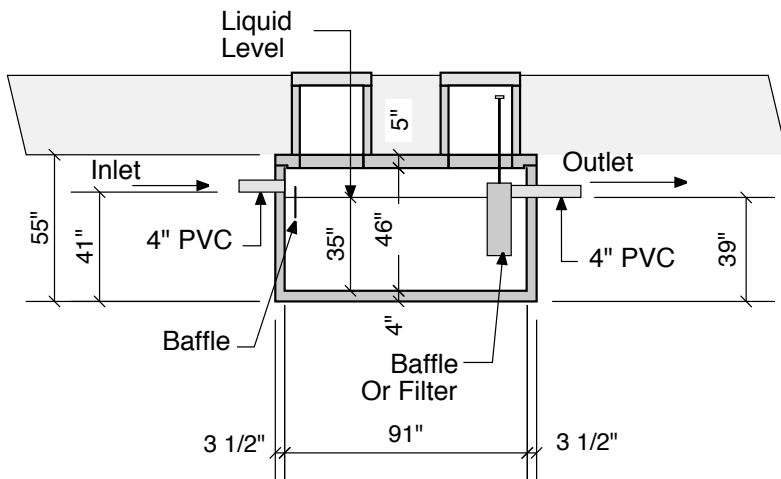
Side View



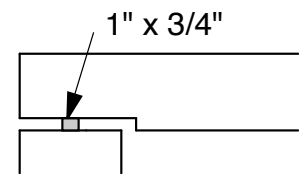
End View



Section B-B



Section A-A



Typical Cover Detail

Notes:
 Concrete - 5000 PSI
 Joint Sealant - High Grade EZ-Stick
 Labels - Warning signs located on all manholes
 Installation - See separate installation guide
 Baffles Installed
 Rubber Gaskets - Press Seal

Crest Precast, Inc.		
La Crescent, MN & Barneveld, WI		
800-658-9045		
Scale		Drawn By: KGT
Date		Revision
Project:	SEPTIC TANK 800 GALLON	
Contractor:	Drawing Number	MODEL 800