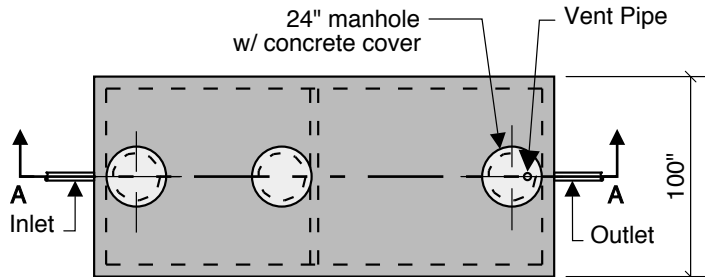
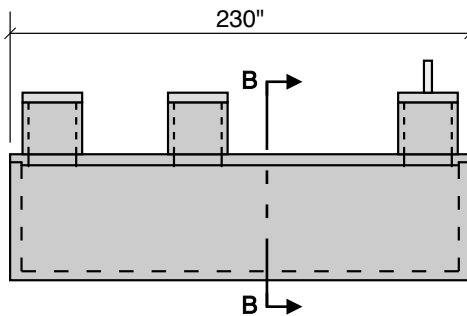


**1600 Septic 1550 Pump
39" LL
46" INLET**

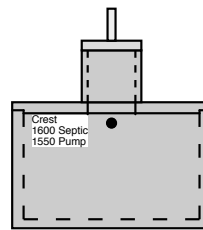
COMBINATION SEPTIC - PUMP



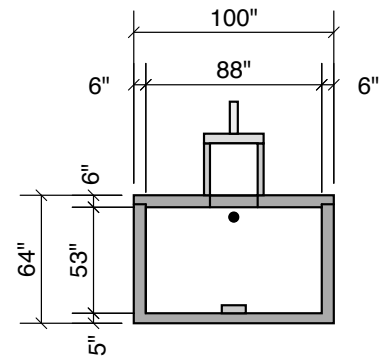
Top View



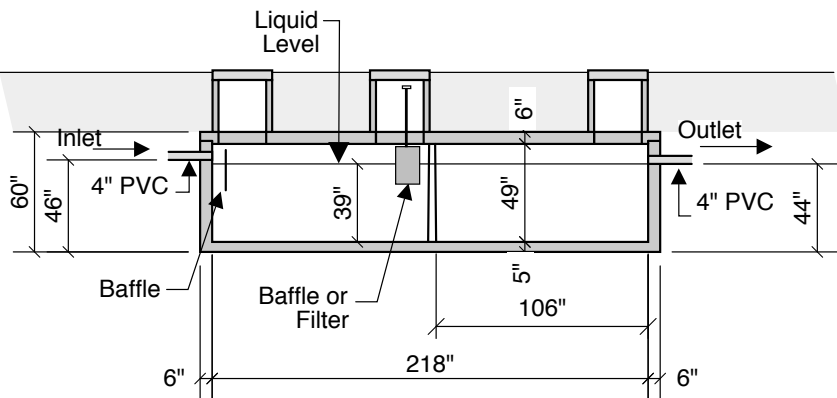
Side View



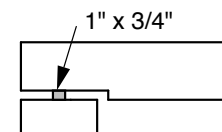
End View



Section B-B



Section A-A



Typical Cover Detail

**Septic Tank Size 1,600 gal
Pump Chamber Size 1,550 gal**

- Notes:**
 Concrete - 5000 PSI
 Joint Sealant - High Grade EZ Stick
 Labels - Warning signs located on all manholes
 Installation - See separate installation guide
 Baffles Installed
 Rubber Gaskets - Press Seal
 Sealed Interior Wall

Crest Precast, Inc.		La Crescent, MN & Barneveld, WI	
800-658-9045			
Scale		Drawn By:	KGT
Date	3-23-17	Revision	
Project:	SEPTIC-PUMP TANK		
Contractor:	Drawing Number 1600-1550-46		